

# INSIGNIA PRICE/SPECIFICATION GUIDE

1 November 2012



Flexible Finance  
**0% APR**  
Representative\*

**Personal  
Lease\*\***

Proud Sponsor of Home Nations Football



Customer offers effective  
2 October 2012 to 17 December 2012  
(subject to exclusions and conditions)

\* = Finance subject to status. Terms and conditions apply.  
Applicants must be 18 or over. Guarantee/indemnity may be  
required. Finance supplied by either Vauxhall Motor Finance  
RH1 1SR or Vauxhall Finance, PO Box 6666, Cardiff CF15 7YT.  
\*\* = Personal Lease by ALD Automotive Ltd.

# INSIGNIA CUSTOMER OFFERS

At Vauxhall we know that customers demand choice. Not only do we have an extensive range of models to choose from, you can also choose 1 of the 2 offers right. With our unique Flexible Finance programme you can now take advantage of an unbeatable finance rate with no minimum deposit, and a payment term to suit you of anywhere between 24 months and 60 months. For even more great deals contact your local retailer or call 0845 600 1500 or visit [www.offers.vauxhall.co.uk](http://www.offers.vauxhall.co.uk)



## TERMS AND CONDITIONS

All offers described are available on vehicles ordered or registered between 2 October 2012 and 17 December 2012 inclusive. Offer prices quoted are correct at the time of publication (November 2012). Prices are subject to change. In line with Vauxhall's policy of price transparency, the offer price shown is an on-the-road price including 20% VAT, number plates and delivery to retailer of £700.00 (inc. £116.67 VAT), 12 months' Government Vehicle Excise Duty (variable depending upon model) and the DVLA's new vehicle first registration fee of £55.00. Excludes fuel and insurance. Offers may not apply to retailer stocks and are subject to availability. Restrictions may apply. Contact your retailer for details.

## FINANCE OFFER

Not available on Insignia ES or Tech Line models and cannot be used in conjunction with any other Finance offers. Offer available for orders and registrations between 2 October 2012 and 17 December 2012. **Eligibility:** Offer only applies to private individuals, Vauxhall Partners and small businesses 1-24 vehicles (purchase only excluding B2B). All other customers are excluded. **Availability:** Available on selected retailer stocks at participating retailers only and may not be available on all retailer stocks. **Finance Provider:** Finance subject to status. Terms and conditions apply. Applicants must be 18 or over. Guarantee/indemnity may be required. Finance supplied by either Vauxhall Motor Finance RH1 1SR or Vauxhall Finance, PO Box 6666, Cardiff CF15 7YT.

## PERSONAL LEASE

Offer available to individuals for orders received between 2 October 2012 and 17 December 2012. Figures based on a non-maintenance contract hire package over 36 months and 6,000 miles per year (max). Rentals and excess charges are based on the current VAT rate. An excess charge will be applied for mileage in excess of 6,000 mile p.a. Excess charges also apply if the car is not serviced and maintained in accordance with manufacturer guidelines and returned to Vauxhall Leasing in a condition commensurate with the BVRLA Fair Wear and Tear guidelines for its age and mileage. Package includes R.F.L. and Vauxhall Assistance. Free metallic paint is only available in conjunction with Vauxhall Leasing offer and applies to selected models only. Offer subject to availability and status. UK supplied vehicles only. For full specification, details, terms and conditions contact your local retailer. Guarantee and/or indemnity may be required. Applicants must be 18 or over. Details correct at time of publication and may vary, e.g. if list price changes. Personal contract hire by ALD Automotive Ltd., trading as Vauxhall Leasing, Oakwood Park, Lodge Causeway, Fishponds, Bristol BS16 3JA.

## Personal Lease

Exclusiv 2.0CDTi 16v  
(130PS) Hatch

**£263 per month  
only £1578 down**

This is our Personal Lease option. You simply pay a modest down payment followed by affordable fixed monthly payments tailored to suit your budget. Metallic paint is available free of charge. Your monthly payment also includes Vehicle Excise Duty and Vauxhall Assistance for the duration of the contract.

Only £1578 down and 35 monthly payments of £263. Excess mileage charges apply if over contracted 6000 p.a. Personal Lease by ALD Automotive Ltd., subject to status, terms and conditions. Applicants must be 18 or over.

## Flexible Finance

Representative example

Exclusiv 1.8i 16v VVT Hatch

on conditional sale

60 monthly payments of	£249.00
On-the-road cash price	£19,885.00
Customer deposit	£4195.00
Finance Deposit Allowance	£750.00
Amount of credit	£14,940.00
Fixed rate of interest	0% p.a.
Duration of agreement	60 months
Total amount payable	£19,885.00
APR Representative	0% APR

Want to own your car but need help spreading the payments? Then our Flexible Finance offer is the option for you.

# INSIGNIA COMPANY CAR DRIVER/FLEET INFORMATION

## INSIGNIA TECH LINE. HIGH SPEC, LOW P11D

High spec. Impressively low P11D values. Our new Tech Line ecoFLEX models are highly desirable to both Fleet Decision Makers and Company Car Drivers. With CO<sub>2</sub> emissions from just 115g/km and fuel consumption of up to 65.7mpg (combined) Tech Line's impressive standard specification includes Sat Nav, Bluetooth®, USB, aux-in and cruise control.

## COMPANY CAR DRIVER FREE\* 3 DAY TEST DRIVE



Our free\* 3 Day Test Drive programme is open to all Company Car Drivers which allows you to choose any model in the current Vauxhall line-up (excluding all VXR models and Commercial Vehicles), with full insurance cover provided, to give you a meaningful length of time to make an informed decision about your next company car.

Click below to book your free\* test drive [www.vauxhall3dtd.co.uk](http://www.vauxhall3dtd.co.uk) or call 0870 240 4848\*\*

\*The free 3 Day Test Drive programme is open to Company Car Drivers and excludes fuel and lubricants; congestion charges; parking and speeding fines and the £250 insurance excess (if applicable). It features a wide selection of models from the Vauxhall range (excluding all VXR models and Commercial Vehicles and subject to availability). Drivers must be aged 25 years or over, have held a full driving licence for at least a year and hold a major credit card. You will need to have your driving licence (and proof of identity (i.e. passport) where the driving licence is not a photocard licence) when your car is delivered. While every effort will be made to ensure that at least 3 days are provided for the test drive, this cannot always be guaranteed due to delivery and collection dates and timings. Available for UK Mainland only. Terms and conditions apply. \*\*Telephone lines open Monday-Friday 9.00am to 5.00pm excluding Bank Holidays. Calls may be recorded or monitored for quality and/or training purposes.

## FLEET TOOLBOX



Discover the facts in our online Toolbox for both Company Car Drivers and Fleet Decision Makers. The Fleet Toolbox has a host of useful calculators, comparators, interactive listings and information. Visit the Fleet Toolbox by going to [www.vauxhall-toolbox.co.uk](http://www.vauxhall-toolbox.co.uk)

## BENEFIT IN KIND COMPANY CAR TAXATION†

The car benefit charge will be the car's list price (including VAT, options and accessories fitted, delivery to retailer and number plates, but excluding Vehicle Excise Duty and new vehicle first registration fee) multiplied by the percentage charge for the CO<sub>2</sub> emissions band in which the car falls (see table opposite). Multiply this figure by your personal income tax rate (20% for Basic Rate, 40% for Higher Rate for 2011-12 tax year) to calculate your annual benefit in kind tax liability.

### Example:

Insignia Tech Line 2.0CDTi (160PS) ecoFLEX Start/Stop 5-door hatchback (CO<sub>2</sub> emissions 114g/km)

On-the-road RRP	£21155.00
Deduct: Vehicle Excise Duty	(£0.00)
New vehicle first registration fee	(£55.00)
<b>Effective list price</b>	<b>£21100.00</b>
Add: Optional two-coat metallic paint	£525.00

List price for tax purposes (P11D value) £21625.00

<b>Car benefit charge</b>	
2012-13 tax year (16%)	£3460.00
<b>Benefit in kind tax liability (2012-13 tax year)</b>	
Basic Rate (20%) tax payer	£692.00
Higher Rate (40%) tax payer	£1384.00

† = Please note this Price Guide provides taxation information as a guide only. Vauxhall does not provide taxation guidance. Drivers should always take professional advice on their own tax position.

CO <sub>2</sub> emissions in grams per kilometre	Percentage of car's price to be taxed	
	Petrol 2012-13 tax year	Diesel 2012-13 tax year
up to 75	5	8
76-99	10	13
100-104	11	14
105-109	12	15
110-114	13	16
115-119	14	17
120-124	15	18
125-129	16	19
130-134	17	20
135-139	18	21
140-144	19	22
145-149	20	23
150-154	21	24
155-159	22	25
160-164	23	26
165-169	24	27
170-174	25	28
175-179	26	29
180-184	27	30
185-189	28	31
190-194	29	32
195-199	30	33
200-204	31	34
205-209	32	35
210-214	33	35
215-219	34	35
220 and above	35	35

To calculate your own personal liability a car tax calculator is available at [www.vauxhall.co.uk/bik](http://www.vauxhall.co.uk/bik)

## ROADTRIP APP



The Vauxhall RoadTrip App is a free app that calculates and logs your mileage expenses for any UK business trips and generates reports to help you complete your mileage claims. Available for both iPhone and Android, visit [www.vauxhall-toolbox.co.uk](http://www.vauxhall-toolbox.co.uk) or visit the iPhone or Android stores and search for Vauxhall RoadTrip to download it to your smartphone or tablet.

## CONTACT VAUXHALL FLEET

Please contact one of our dedicated sales teams who will be happy to help with your particular enquiry.

### Company Car Drivers

Call: 0845 111 2020  
Email: [company-car@vauxhallinfo.co.uk](mailto:company-car@vauxhallinfo.co.uk)

Telephone lines are open – Monday to Friday 08.00am-midnight/Saturday 09.00am-midnight/Sunday 10.00am-midnight

### Fleet Decision Makers

Depending on the size of your fleet of vehicles, we have a dedicated team to handle your enquiries. The lines are open Monday to Friday excluding Bank Holidays.

### 1-24 vehicles

Call: 0845 076 2254 (08.30am-5.00pm)  
Email: [b2bsales@vauxhall.co.uk](mailto:b2bsales@vauxhall.co.uk)

### 25+ vehicles

Call: 0870 010 0651 (08.00am-5.30pm)  
Email: [vauxhallfleet@vauxhall.co.uk](mailto:vauxhallfleet@vauxhall.co.uk)

### Special Vehicles (Police, Fire and Ambulance)

Call: 01525 408 320 (08.30am-5.00pm)  
Email: [vauxhallspecialvehicles@vauxhall.co.uk](mailto:vauxhallspecialvehicles@vauxhall.co.uk)

# INSIGNIA RANGE HIGHLIGHTS

## ES

£18,040-£21,785

- Driver's and front passenger's airbags
- Front seat side-impact airbags
- Full-size curtain airbags
- Electric Stability Programme (ESP)
- Electric parking brake
- Automatic lighting control
- Air conditioning
- Driver's seat with tilt adjust, electrical height and lumbar adjustment
- Front centre armrest with storage facility
- 60/40 split-folding rear seat back
- Leather-covered steering wheel
- Cruise control
- Trip computer
- Electrically adjustable/heated door mirrors
- CD/MP3 CD player/stereo radio
- Graphic information display
- USB connection within centre armrest
- Aux-in socket within centre armrest
- Reach- and rake-adjustable steering column
- Front map reading lights
- Two rear reading lights
- Remote control security alarm system
- Black roof rails (Sports Tourer)
- 17-inch Structure wheels with 225/50 R 17 low profile tyres

## EXCLUSIV

£19,885-£25,875

### Features over ES

- Electronic climate control
- Active-safety front seat head restraints
- Chrome-effect exterior side window surround
- 60/40 split-folding rear seat with load-through facility
- Illuminated vanity mirrors
- Front seat back storage pockets
- Rear seat drinks holders
- Silver-effect roof rails (Sports Tourer)
- 17-inch Structure wheels with 225/55 R 17 low profile tyres

## TECH LINE

£19,000-£23,405

### Features over Exclusiv

- Satellite navigation/colour monitor/multi-function controller/shark fin aerial (Navi 600)
- DMB digital radio
- Mobile phone system with Bluetooth® (does not include phone or cradle)
- 17-inch 7-spoke alloy wheels with 225/55 R 17 low profile tyres

## SE

£23,825-£29,105

### Features over Exclusiv

- 17-inch 7-spoke alloy wheels with 225/55 R 17 low profile tyres
- Tyre pressure monitoring system
- Tunnel detection for automatic lighting control
- Electro-chromatic anti-dazzle rear-view mirror
- Rain-sensitive windscreen wipers
- Electrically operated rear windows
- Cloth/Morrocana seat trim
- Centre rear seat head restraint
- DMB digital radio
- Dark-tinted glass – excludes windscreen and front door windows (Sports Tourer)

## ELITE

£26,145-£35,810

### Features over SE

- Dual-zone electronic climate control with heat-reflective windscreen and humidity sensor
- 18-inch 10-spoke alloy wheels with 245/45 R 18 ultra-low profile tyres
- Front and rear parking distance sensors
- Front fog lights
- Intelligent adaptive forward lighting with high-pressure headlight washers
- Bi-xenon headlights with dynamic beam levelling
- Leather trim with heated front seats
- Eight-way electrically adjustable driver's seat with memory function
- Electric height and lumbar adjustment on front passenger's seat
- Electrically foldable door mirrors
- Electro-chromatic driver's door mirror
- FlexRide (Adaptive Stability Technology) – standard on 2.0i 16v Turbo/2.8i V6/2.0CDTi 16v (160PS) 4X4/2.0CDTi 16v (195PS) BiTurbo

## SRI

£22,375-£33,185

### Features over Exclusiv

- 17-inch 7-spoke alloy wheels with 225/55 R 17 low profile tyres (excludes Sports Tourer 4X4 and BiTurbo models)
- 18-inch 5-twinblade alloy wheels with 245/45 R 18 ultra-low profile tyres (standard on Sports Tourer 4X4 and BiTurbo models)
- Lowered and uprated sports suspension
- Sports pedals
- Leather-covered sports steering wheel
- Front fog lights
- Centre rear seat head restraint
- Visible dual branch exhaust tailpipes (2.0CDTi 16v (195PS) BiTurbo models only)
- Sports front seats with ergonomic driver's seat including extendable seat cushion
- Dark-tinted glass – excludes windscreen and front door windows (Sports Tourer)
- FlexRide (Adaptive Stability Technology) – standard on 2.0CDTi 16v (160PS) 4X4/2.0CDTi 16v (195PS) BiTurbo

### Additional features fitted to SRi VX-Line models:

- 19-inch 5-spoke alloy wheels with 245/40 R 19 ultra-low profile tyres
- Body-colour front spoiler, side sills, rear lip spoiler and rear lower skirt (rear lip spoiler not available on Sports Tourer)
- VX-Line leather-covered three-spoke sports steering wheel, leather-covered gear knob (manual models only) and dark headlining
- Visible single exhaust tailpipe (1.4i 16v Turbo/1.8i 16v/2.0CDTi 16v (130PS/160PS) only)
- Visible dual branch exhaust tailpipes (2.0CDTi 16v (195PS) BiTurbo only)

### SRi VX-Line Red models also feature:

- 20-inch 5-twinspoke alloy wheels with 245/35 R 20 ultra-low profile tyres
- Power Red paint
- Visible single exhaust tailpipe
- Front and rear parking distance sensors
- Mobile phone system with Bluetooth® (does not include phone or cradle)

# INSIGNIA HATCHBACK/SALOON PRICES

Model 5-door hatchback/4-door saloon	Price (£)	VAT (£)	Total (£)	On-the-road RRP (£)	CO <sub>2</sub> * (g/km)	Model 5-door hatchback/4-door saloon	Price (£)	VAT (£)	Total (£)	On-the-road RRP (£)	CO <sub>2</sub> * (g/km)
<b>ES**</b>						<b>SRI</b>					
1.8i 16v VVT	14175.00	2835.00	17010.00	<b>18040.00</b>	169	1.8i 16v VVT**	17787.50	3557.50	21345.00	<b>22375.00</b>	169
1.4i 16v Turbo Start/Stop	15087.50	3017.50	18105.00	<b>18860.00</b>	129	1.4i 16v Turbo Start/Stop	18700.00	3740.00	22440.00	<b>23195.00</b>	129
<i>Diesel</i>						<i>Diesel</i>					
2.0CDTi 16v (130PS)	15679.17	3135.83	18815.00	<b>19570.00</b>	124	2.0CDTi 16v (130PS)	19291.67	3858.33	23150.00	<b>23905.00</b>	124
2.0CDTi 16v (130PS) ecoFLEX Start/Stop	16375.00	3275.00	19650.00	<b>20405.00</b>	114	2.0CDTi 16v (130PS) ecoFLEX Start/Stop	19987.50	3997.50	23985.00	<b>24740.00</b>	114
<b>EXCLUSIV</b>						<b>EXCLUSIV</b>					
1.8i 16v VVT**	15712.50	3142.50	18855.00	<b>19885.00</b>	169	2.0CDTi 16v (160PS)	19825.00	3965.00	23790.00	<b>24545.00</b>	127
1.4i 16v Turbo Start/Stop	16625.00	3325.00	19950.00	<b>20705.00</b>	129	2.0CDTi 16v (160PS) auto	21087.50	4217.50	25305.00	<b>26195.00</b>	149
<i>Diesel</i>						<i>Diesel</i>					
2.0CDTi 16v (130PS)	17216.67	3443.33	20660.00	<b>21415.00</b>	124	2.0CDTi 16v (160PS) 4X4 Start/Stop**	21916.67	4383.33	26300.00	<b>27190.00</b>	149
2.0CDTi 16v (130PS) auto**	18587.50	3717.50	22305.00	<b>23195.00</b>	144	2.0CDTi 16v (160PS) ecoFLEX Start/Stop	20500.00	4100.00	24600.00	<b>25355.00</b>	114
2.0CDTi 16v (130PS) ecoFLEX Start/Stop	17912.50	3582.50	21495.00	<b>22250.00</b>	114	2.0CDTi 16v (195PS) BiTurbo Start/Stop**	22020.83	4404.17	26425.00	<b>27180.00</b>	129
2.0CDTi 16v (160PS)**	17750.00	3550.00	21300.00	<b>22055.00</b>	127	2.0CDTi 16v (195PS) BiTurbo 4X4 Start/Stop**	24083.33	4816.67	28900.00	<b>29790.00</b>	146
2.0CDTi 16v (160PS) auto**	19008.33	3801.67	22810.00	<b>23700.00</b>	149	<b>SRI NAV†</b>					
2.0CDTi 16v (160PS) ecoFLEX Start/Stop	18420.83	3684.17	22105.00	<b>22860.00</b>	114	1.8i 16v VVT**	18445.83	3689.17	22135.00	<b>23165.00</b>	169
<b>EXCLUSIV NAV†</b>						<b>EXCLUSIV NAV†</b>					
1.8i 16v VVT**	16370.83	3274.17	19645.00	<b>20675.00</b>	169	1.4i 16v Turbo Start/Stop	19358.33	3871.67	23230.00	<b>23985.00</b>	129
1.4i 16v Turbo Start/Stop	17283.33	3456.67	20740.00	<b>21495.00</b>	129	<i>Diesel</i>					
<i>Diesel</i>						<i>Diesel</i>					
2.0CDTi 16v (130PS)	17875.00	3575.00	21450.00	<b>22205.00</b>	124	2.0CDTi 16v (130PS)	19950.00	3990.00	23940.00	<b>24695.00</b>	124
2.0CDTi 16v (130PS) auto**	19250.00	3850.00	23100.00	<b>23990.00</b>	144	2.0CDTi 16v (130PS) ecoFLEX Start/Stop	20645.83	4129.17	24775.00	<b>25530.00</b>	114
2.0CDTi 16v (130PS) ecoFLEX Start/Stop	18570.83	3714.17	22285.00	<b>23040.00</b>	114	2.0CDTi 16v (160PS)	20487.50	4097.50	24585.00	<b>25340.00</b>	127
2.0CDTi 16v (160PS)**	18408.33	3681.67	22090.00	<b>22845.00</b>	127	2.0CDTi 16v (160PS) auto	21745.83	4349.17	26095.00	<b>26985.00</b>	149
2.0CDTi 16v (160PS) auto**	19670.83	3934.17	23605.00	<b>24495.00</b>	149	2.0CDTi 16v (160PS) 4X4 Start/Stop**	22575.00	4515.00	27090.00	<b>27980.00</b>	149
2.0CDTi 16v (160PS) 4X4 Start/Stop**	20500.00	4100.00	24600.00	<b>25490.00</b>	149	2.0CDTi 16v (160PS) ecoFLEX Start/Stop	21158.33	4231.67	25390.00	<b>26145.00</b>	114
2.0CDTi 16v (160PS) ecoFLEX Start/Stop	19083.33	3816.67	22900.00	<b>23655.00</b>	114	2.0CDTi 16v (195PS) BiTurbo Start/Stop**	22683.33	4536.67	27220.00	<b>27975.00</b>	129
<b>TECH LINE**†</b>						<b>TECH LINE**†</b>					
1.4i 16v Turbo Start/Stop	15204.17	3040.83	18245.00	<b>19000.00</b>	129	2.0CDTi 16v (195PS) BiTurbo 4X4 Start/Stop**	24745.83	4949.17	29695.00	<b>30585.00</b>	146
<i>Diesel</i>						<i>Diesel</i>					
2.0CDTi 16v (130PS)	15795.83	3159.17	18955.00	<b>19710.00</b>	124	Please note: On-the-road recommended retail prices (RRP) include number plates and delivery to retailer of £700.00 (inc. £116.67 VAT), 12 months' Vehicle Excise Duty and new vehicle first registration fee of £55.00. Excludes fuel and insurance.					
2.0CDTi 16v (130PS) ecoFLEX Start/Stop	16491.67	3298.33	19790.00	<b>20545.00</b>	114	* = CO <sub>2</sub> emission figures are for hatchback and saloon models. ** = Available as a 5-door hatchback model only. † = Fitted with Navi 600 satellite navigation system with colour monitor/stereo radio/CD/MP3 CD player/SD card slot, aux-in and USB sockets/shark fin aerial/multi-function infotainment controller.					
2.0CDTi 16v (160PS)	16329.17	3265.83	19595.00	<b>20350.00</b>	127						
2.0CDTi 16v (160PS) auto	17587.50	3517.50	21105.00	<b>21995.00</b>	149						
2.0CDTi 16v (160PS) ecoFLEX Start/Stop	17000.00	3400.00	20400.00	<b>21155.00</b>	114						

# INSIGNIA HATCHBACK/SALOON PRICES

Model 5-door hatchback/4-door saloon	Price (£)	VAT (£)	Total (£)	On-the-road RRP (£)	CO <sub>2</sub> * (g/km)	Model 5-door hatchback/4-door saloon	Price (£)	VAT (£)	Total (£)	On-the-road RRP (£)	CO <sub>2</sub> * (g/km)
<b>SRI VX-LINE</b>						<b>SE</b>					
1.4i 16v Turbo Start/Stop	19716.67	3943.33	23660.00	<b>24415.00</b>	129	1.4i 16v Turbo Start/Stop	19225.00	3845.00	23070.00	<b>23825.00</b>	129
<i>Diesel</i>						<i>Diesel</i>					
2.0CDTi 16v (130PS)**	20308.33	4061.67	24370.00	<b>25125.00</b>	124	2.0CDTi 16v (130PS)	19816.67	3963.33	23780.00	<b>24535.00</b>	124
2.0CDTi 16v (130PS) ecoFLEX Start/Stop	21004.17	4200.83	25205.00	<b>25960.00</b>	114	2.0CDTi 16v (130PS) ecoFLEX Start/Stop	20512.50	4102.50	24615.00	<b>25370.00</b>	114
2.0CDTi 16v (160PS)	20841.67	4168.33	25010.00	<b>25765.00</b>	127	2.0CDTi 16v (160PS)**	20350.00	4070.00	24420.00	<b>25175.00</b>	127
2.0CDTi 16v (160PS) auto**	22104.17	4420.83	26525.00	<b>27415.00</b>	149	2.0CDTi 16v (160PS) auto**	21612.50	4322.50	25935.00	<b>26825.00</b>	149
2.0CDTi 16v (160PS) ecoFLEX Start/Stop	21516.67	4303.33	25820.00	<b>26575.00</b>	114	2.0CDTi 16v (160PS) ecoFLEX Start/Stop	21025.00	4205.00	25230.00	<b>25985.00</b>	114
2.0CDTi 16v (195PS) BiTurbo Start/Stop**	23037.50	4607.50	27645.00	<b>28400.00</b>	129	<b>SE NAV†</b>					
2.0CDTi 16v (195PS) BiTurbo 4X4 Start/Stop**	25100.00	5020.00	30120.00	<b>31010.00</b>	146	1.4i 16v Turbo Start/Stop	19937.50	3987.50	23925.00	<b>24680.00</b>	129
<b>SRI VX-LINE NAV†</b>						<i>Diesel</i>					
1.4i 16v Turbo Start/Stop	20379.17	4075.83	24455.00	<b>25210.00</b>	129	2.0CDTi 16v (130PS)	20525.00	4105.00	24630.00	<b>25385.00</b>	124
<i>Diesel</i>						2.0CDTi 16v (130PS) ecoFLEX Start/Stop	21220.83	4244.17	25465.00	<b>26220.00</b>	114
2.0CDTi 16v (130PS)**	20970.83	4194.17	25165.00	<b>25920.00</b>	124	2.0CDTi 16v (160PS)**	21062.50	4212.50	25275.00	<b>26030.00</b>	127
2.0CDTi 16v (130PS) ecoFLEX Start/Stop	21666.67	4333.33	26000.00	<b>26755.00</b>	114	2.0CDTi 16v (160PS) auto**	22320.83	4464.17	26785.00	<b>27675.00</b>	149
2.0CDTi 16v (160PS)	21504.17	4300.83	25805.00	<b>26560.00</b>	127	2.0CDTi 16v (160PS) ecoFLEX Start/Stop	21733.33	4346.67	26080.00	<b>26835.00</b>	114
2.0CDTi 16v (160PS) auto**	22762.50	4552.50	27315.00	<b>28205.00</b>	149	<b>ELITE</b>					
2.0CDTi 16v (160PS) ecoFLEX Start/Stop	22175.00	4435.00	26610.00	<b>27365.00</b>	114	1.4i 16v Turbo Start/Stop	21158.33	4231.67	25390.00	<b>26145.00</b>	129
2.0CDTi 16v (195PS) BiTurbo Start/Stop**	23700.00	4740.00	28440.00	<b>29195.00</b>	129	<i>Diesel</i>					
2.0CDTi 16v (195PS) BiTurbo 4X4 Start/Stop**	25762.50	5152.50	30915.00	<b>31805.00</b>	146	2.0CDTi 16v (160PS)**	22283.33	4456.67	26740.00	<b>27495.00</b>	127
<b>SRI VX-LINE Red**</b>						2.0CDTi 16v (160PS) auto**	23541.67	4708.33	28250.00	<b>29140.00</b>	149
1.4i 16v Turbo Start/Stop	20287.50	4057.50	24345.00	<b>25100.00</b>	129	2.0CDTi 16v (160PS) 4X4 auto	25470.83	5094.17	30565.00	<b>31595.00</b>	169
<i>Diesel</i>						2.0CDTi 16v (160PS) ecoFLEX Start/Stop	22954.17	4590.83	27545.00	<b>28300.00</b>	114
2.0CDTi 16v (160PS)	21412.50	4282.50	25695.00	<b>26450.00</b>	127	2.0CDTi 16v (195PS) BiTurbo auto**	25837.50	5167.50	31005.00	<b>31930.00</b>	155
2.0CDTi 16v (160PS) auto	22675.00	4535.00	27210.00	<b>28100.00</b>	149	<b>ELITE NAV†</b>					
2.0CDTi 16v (160PS) 4X4 Start/Stop	23500.00	4700.00	28200.00	<b>29090.00</b>	149	1.4i 16v Turbo Start/Stop	21866.67	4373.33	26240.00	<b>26995.00</b>	129
2.0CDTi 16v (160PS) ecoFLEX Start/Stop	22087.50	4417.50	26505.00	<b>27260.00</b>	114	2.0i 16v Turbo Start/Stop**	23320.83	4664.17	27985.00	<b>29065.00</b>	179
<b>SRI VX-LINE Red NAV***</b>						2.0i 16v Turbo auto**	24237.50	4847.50	29085.00	<b>30440.00</b>	206
1.4i 16v Turbo Start/Stop	20816.67	4163.33	24980.00	<b>25735.00</b>	129	2.8i V6 24v Turbo 4X4 auto	27162.50	5432.50	32595.00	<b>34380.00</b>	258
<i>Diesel</i>						<i>Diesel</i>					
2.0CDTi 16v (160PS)	21941.67	4388.33	26330.00	<b>27085.00</b>	127	2.0CDTi 16v (160PS)	22979.17	4595.83	27575.00	<b>28330.00</b>	127
2.0CDTi 16v (160PS) auto	23204.17	4640.83	27845.00	<b>28735.00</b>	149	2.0CDTi 16v (160PS) auto	24254.17	4850.83	29105.00	<b>29995.00</b>	149
2.0CDTi 16v (160PS) 4X4 Start/Stop	24029.17	4805.83	28835.00	<b>29725.00</b>	149	2.0CDTi 16v (160PS) 4X4 auto	26183.33	5236.67	31420.00	<b>32450.00</b>	169
2.0CDTi 16v (160PS) ecoFLEX Start/Stop	22612.50	4522.50	27135.00	<b>27890.00</b>	114	2.0CDTi 16v (160PS) ecoFLEX Start/Stop	23666.67	4733.33	28400.00	<b>29155.00</b>	114
						2.0CDTi 16v (195PS) BiTurbo auto**	26550.00	5310.00	31860.00	<b>32785.00</b>	155

Please note: On-the-road recommended retail prices (RRP) include number plates and delivery to retailer of £700.00 (inc. £116.67 VAT), 12 months' Vehicle Excise Duty and new vehicle first registration fee of £55.00. Excludes fuel and insurance.

\* = CO<sub>2</sub> emission figures are for hatchback and saloon models. \*\* = Available as a 5-door hatchback model only. † = Fitted with Navi 600 satellite navigation system with colour monitor/stereo radio/CD/MP3 CD player/SD card slot, aux-in and USB sockets/shark fin aerial/multi-function infotainment controller.

# INSIGNIA SPORTS TOURER PRICES

Model Sports Tourer	Price (£)	VAT (£)	Total (£)	On-the-road RRP (£)	CO <sub>2</sub> (g/km)	Model Sports Tourer	Price (£)	VAT (£)	Total (£)	On-the-road RRP (£)	CO <sub>2</sub> (g/km)
<b>ES</b>						<b>SRI</b>					
1.4i 16v Turbo Start/Stop <i>Diesel</i>	16137.50	3227.50	19365.00	<b>20240.00</b>	134	1.4i 16v Turbo Start/Stop <i>Diesel</i>	19750.00	3950.00	23700.00	<b>24575.00</b>	134
2.0CDTi 16v (130PS)	16829.17	3365.83	20195.00	<b>20950.00</b>	129	2.0CDTi 16v (130PS)	20441.67	4088.33	24530.00	<b>25285.00</b>	129
2.0CDTi 16v (130PS) ecoFLEX Start/Stop	17525.00	3505.00	21030.00	<b>21785.00</b>	119	2.0CDTi 16v (130PS) ecoFLEX Start/Stop	21137.50	4227.50	25365.00	<b>26120.00</b>	119
<b>EXCLUSIV</b>						<b>SRI NAV†</b>					
1.4i 16v Turbo Start/Stop <i>Diesel</i>	17670.83	3534.17	21205.00	<b>22080.00</b>	134	1.4i 16v Turbo Start/Stop <i>Diesel</i>	20433.33	4086.67	24520.00	<b>25395.00</b>	134
2.0CDTi 16v (130PS)	18362.50	3672.50	22035.00	<b>22790.00</b>	129	2.0CDTi 16v (130PS)	21100.00	4220.00	25320.00	<b>26075.00</b>	129
2.0CDTi 16v (130PS) ecoFLEX Start/Stop	19058.33	3811.67	22870.00	<b>23625.00</b>	119	2.0CDTi 16v (130PS) ecoFLEX Start/Stop	21795.83	4359.17	26155.00	<b>26910.00</b>	119
2.0CDTi 16v (160PS)	18795.83	3759.17	22555.00	<b>23430.00</b>	134	2.0CDTi 16v (160PS)	21533.33	4306.67	25840.00	<b>26715.00</b>	134
2.0CDTi 16v (160PS) auto	20129.17	4025.83	24155.00	<b>25080.00</b>	155	2.0CDTi 16v (160PS) auto	22866.67	4573.33	27440.00	<b>28365.00</b>	155
2.0CDTi 16v (160PS) ecoFLEX Start/Stop	19575.00	3915.00	23490.00	<b>24245.00</b>	119	2.0CDTi 16v (160PS) 4X4 Start/Stop	23725.00	4745.00	28470.00	<b>29360.00</b>	149
<b>EXCLUSIV NAV†</b>						<b>SRI VX-LINE</b>					
1.4i 16v Turbo Start/Stop <i>Diesel</i>	18333.33	3666.67	22000.00	<b>22875.00</b>	134	1.4i 16v Turbo Start/Stop <i>Diesel</i>	20766.67	4153.33	24920.00	<b>25795.00</b>	134
2.0CDTi 16v (130PS)	19025.00	3805.00	22830.00	<b>23585.00</b>	129	2.0CDTi 16v (130PS)	21458.33	4291.67	25750.00	<b>26505.00</b>	129
2.0CDTi 16v (130PS) ecoFLEX Start/Stop	19720.83	3944.17	23665.00	<b>24420.00</b>	119	2.0CDTi 16v (130PS) ecoFLEX Start/Stop	22154.17	4430.83	26585.00	<b>27340.00</b>	119
2.0CDTi 16v (160PS)	19458.33	3891.67	23350.00	<b>24225.00</b>	134	2.0CDTi 16v (160PS)	21891.67	4378.33	26270.00	<b>27145.00</b>	134
2.0CDTi 16v (160PS) auto	20791.67	4158.33	24950.00	<b>25875.00</b>	155	2.0CDTi 16v (160PS) auto	23225.00	4645.00	27870.00	<b>28795.00</b>	155
2.0CDTi 16v (160PS) ecoFLEX Start/Stop	20233.33	4046.67	24280.00	<b>25035.00</b>	119	2.0CDTi 16v (160PS) ecoFLEX Start/Stop	22758.33	4551.67	27310.00	<b>28065.00</b>	119
<b>TECH LINE†</b>						<b>SRI NAV†</b>					
1.4i 16v Turbo Start/Stop <i>Diesel</i>	16250.00	3250.00	19500.00	<b>20375.00</b>	134	1.4i 16v Turbo Start/Stop <i>Diesel</i>	20433.33	4086.67	24520.00	<b>25395.00</b>	134
2.0CDTi 16v (130PS)	16941.67	3388.33	20330.00	<b>21085.00</b>	129	2.0CDTi 16v (130PS)	21100.00	4220.00	25320.00	<b>26075.00</b>	129
2.0CDTi 16v (130PS) ecoFLEX Start/Stop	17637.50	3527.50	21165.00	<b>21920.00</b>	119	2.0CDTi 16v (130PS) ecoFLEX Start/Stop	21795.83	4359.17	26155.00	<b>26910.00</b>	119
2.0CDTi 16v (160PS)	17375.00	3475.00	20850.00	<b>21725.00</b>	134	2.0CDTi 16v (160PS)	21533.33	4306.67	25840.00	<b>26715.00</b>	134
2.0CDTi 16v (160PS) auto	18733.33	3746.67	22480.00	<b>23405.00</b>	155	2.0CDTi 16v (160PS) auto	22866.67	4573.33	27440.00	<b>28365.00</b>	155
2.0CDTi 16v (160PS) ecoFLEX Start/Stop	18145.83	3629.17	21775.00	<b>22530.00</b>	119	2.0CDTi 16v (160PS) 4X4 Start/Stop	23725.00	4745.00	28470.00	<b>29360.00</b>	149
						<b>SRI NAV†</b>					
						2.0CDTi 16v (195PS) BiTurbo Start/Stop					
						2.0CDTi 16v (195PS) BiTurbo 4X4 Start/Stop					

Please note: On-the-road recommended retail prices (RRP) include number plates and delivery to retailer of £700.00 (inc. £116.67 VAT), 12 months' Vehicle Excise Duty and new vehicle first registration fee of £55.00. Excludes fuel and insurance.

† = Fitted with Navi 600 satellite navigation system with colour monitor/stereo radio/CD/MP3 CD player/SD card slot, aux-in and USB sockets/shark fin aerial/multi-function infotainment controller.

# INSIGNIA SPORTS TOURER PRICES

Model Sports Tourer	Price (£)	VAT (£)	Total (£)	On-the-road RRP (£)	CO <sub>2</sub> (g/km)	Model Sports Tourer	Price (£)	VAT (£)	Total (£)	On-the-road RRP (£)	CO <sub>2</sub> (g/km)
<b>SRI VX-LINE NAV†</b>						<b>SE NAV†</b>					
1.4i 16v Turbo Start/Stop <i>Diesel</i>	21450.00	4290.00	25740.00	<b>26615.00</b>	134	1.4i 16v Turbo Start/Stop <i>Diesel</i>	21025.00	4205.00	25230.00	<b>26105.00</b>	134
2.0CDTi 16v (130PS)	22116.67	4423.33	26540.00	<b>27295.00</b>	129	2.0CDTi 16v (130PS) <i>Diesel</i>	21716.67	4343.33	26060.00	<b>26815.00</b>	129
2.0CDTi 16v (130PS) ecoFLEX Start/Stop	22812.50	4562.50	27375.00	<b>28130.00</b>	119	2.0CDTi 16v (130PS) ecoFLEX Start/Stop	22412.50	4482.50	26895.00	<b>27650.00</b>	119
2.0CDTi 16v (160PS)	22550.00	4510.00	27060.00	<b>27935.00</b>	134	2.0CDTi 16v (160PS)	22154.17	4430.83	26585.00	<b>27460.00</b>	134
2.0CDTi 16v (160PS) auto	23883.33	4776.67	28660.00	<b>29585.00</b>	155	2.0CDTi 16v (160PS) auto	23483.33	4696.67	28180.00	<b>29105.00</b>	155
2.0CDTi 16v (160PS) ecoFLEX Start/Stop	23420.83	4684.17	28105.00	<b>28860.00</b>	119	2.0CDTi 16v (160PS) ecoFLEX Start/Stop	22929.17	4585.83	27515.00	<b>28270.00</b>	119
2.0CDTi 16v (195PS) BiTurbo Start/Stop	24850.00	4970.00	29820.00	<b>30695.00</b>	134	<b>ELITE</b>					
2.0CDTi 16v (195PS) BiTurbo 4X4 Start/Stop	26912.50	5382.50	32295.00	<b>33185.00</b>	149	1.4i 16v Turbo Start/Stop <i>Diesel</i>	22250.00	4450.00	26700.00	<b>27575.00</b>	134
<b>SRI VX-LINE Red</b>						<b>ELITE NAV†</b>					
1.4i 16v Turbo Start/Stop <i>Diesel</i>	21337.50	4267.50	25605.00	<b>26480.00</b>	134	2.0CDTi 16v (160PS) <i>Diesel</i>	23375.00	4675.00	28050.00	<b>28925.00</b>	134
2.0CDTi 16v (160PS)	22462.50	4492.50	26955.00	<b>27830.00</b>	134	2.0CDTi 16v (160PS) auto	24704.17	4940.83	29645.00	<b>30570.00</b>	155
2.0CDTi 16v (160PS) 4X4 Start/Stop	24650.00	4930.00	29580.00	<b>30470.00</b>	149	2.0CDTi 16v (160PS) ecoFLEX Start/Stop	24150.00	4830.00	28980.00	<b>29735.00</b>	119
2.0CDTi 16v (160PS) ecoFLEX Start/Stop	23329.17	4665.83	27995.00	<b>28750.00</b>	119	2.0CDTi 16v (195PS) BiTurbo auto	27000.00	5400.00	32400.00	<b>33325.00</b>	158
<b>SRI VX-LINE Red NAV†</b>						<b>ELITE NAV†</b>					
1.4i 16v Turbo Start/Stop <i>Diesel</i>	21866.67	4373.33	26240.00	<b>27115.00</b>	134	1.4i 16v Turbo Start/Stop	22958.33	4591.67	27550.00	<b>28425.00</b>	134
2.0CDTi 16v (160PS)	22991.67	4598.33	27590.00	<b>28465.00</b>	134	2.8i V6 24v Turbo 4X4 auto <i>Diesel</i>	28354.17	5670.83	34025.00	<b>35810.00</b>	265
2.0CDTi 16v (160PS) 4X4 Start/Stop	25179.17	5035.83	30215.00	<b>31105.00</b>	149	2.0CDTi 16v (160PS) <i>Diesel</i>	24083.33	4816.67	28900.00	<b>29775.00</b>	134
2.0CDTi 16v (160PS) ecoFLEX Start/Stop	23858.33	4771.67	28630.00	<b>29385.00</b>	119	2.0CDTi 16v (160PS) auto	25416.67	5083.33	30500.00	<b>31425.00</b>	155
<b>SE</b>						<b>ELITE NAV†</b>					
1.4i 16v Turbo Start/Stop <i>Diesel</i>	20316.67	4063.33	24380.00	<b>25255.00</b>	134	2.0CDTi 16v (160PS) ecoFLEX Start/Stop	24858.33	4971.67	29830.00	<b>30585.00</b>	119
2.0CDTi 16v (130PS)	21008.33	4201.67	25210.00	<b>25965.00</b>	129	2.0CDTi 16v (195PS) BiTurbo auto	27712.50	5542.50	33255.00	<b>34180.00</b>	158
2.0CDTi 16v (130PS) ecoFLEX Start/Stop	21704.17	4340.83	26045.00	<b>26800.00</b>	119	Please note: On-the-road recommended retail prices (RRP) include number plates and delivery to retailer of £700.00 (inc. £116.67 VAT), 12 months' Vehicle Excise Duty and new vehicle first registration fee of £55.00. Excludes fuel and insurance.					
2.0CDTi 16v (160PS)	21441.67	4288.33	25730.00	<b>26605.00</b>	134	† = Fitted with Navi 600 satellite navigation system with colour monitor/stereo radio/CD/MP3 CD player/SD card slot, aux-in and USB sockets/shark fin aerial/multi-function infotainment controller.					
2.0CDTi 16v (160PS) auto	22775.00	4555.00	27330.00	<b>28255.00</b>	155						
2.0CDTi 16v (160PS) ecoFLEX Start/Stop	22216.67	4443.33	26660.00	<b>27415.00</b>	119						



# INSIGNIA FEATURES/OPTIONS

## SAFETY

### Standard features

**Airbags:** • Driver's dual-stage airbag • Front passenger's dual-stage airbag • Front seat side-impact airbags • Full-size curtain airbags • Deactivation switch for front passenger's airbags

**Seating:** • Height-adjustable head restraints on outer rear seats • Five lap and diagonal inertia-reel seatbelts (height-adjustable front) • Front body-lock diagonal seatbelt pretensioner system • Driver's lap belt pretensioner system • Front seatbelt force limiters • Anti-submarining ramps in front seats • ISOFIX child seat restraint system for all rear seats incorporating top tether (does not include child seat)

**Electronic:** • Electronic Stability Programme-plus (ESP-plus) • Anti-lock Braking System (ABS) • Cornering Brake Control • Emergency Brake Assist • Straight Line Stability control • Traction control • Adaptive Brake Lights • Electric parking brake • Hill Start Assist (HSA) (manual models only)

**Body:** • Energy-absorbing steering column • Pedal release system • Laminated windscreen • Side-impact protection beams • Reinforced passenger safety cell • Deformation zones front and rear • Burst-proof door locks and anti-jam door design

**Pedestrian:** • Multi-pivot bonnet hinges • Low density foam near front bumper crossmember • Plastic lower front bumper stiffener

Additional features	ES	Exclusiv	SRI	SRI VX-Line	Tech Line	SE	Elite	Price (£) exc. VAT	Total (£) inc. VAT
Front passenger's lap belt pretensioner system							●		
Active-safety front seat head restraints		●	●	●	●	●	●		
Height-adjustable centre rear seat head restraint			●	●		●	●		
Tyre pressure monitoring system		○	○	○	○	●	●	91.67	110.00

## SECURITY

**Standard features** • Remote control security alarm system • Remote control central deadlocking (doors, boot lid/tailgate, fuel flap) • Visible Vehicle Identification Number (VIN) plate • 'Key left in ignition' audible warning • Electronic engine deadlock immobiliser • Door-to-door illumination • Foldable key • Driver's internal central locking switch

Additional feature	ES	Exclusiv	SRI	SRI VX-Line	Tech Line	SE	Elite	Price (£) exc. VAT	Total (£) inc. VAT
Locking wheel nuts for alloy wheels (where fitted)	□	□	●	●	□	●	●		

## HEATING AND VENTILATION

**Standard features** • Air blend heater • Side window demist vents and adjustable face-level air vents • Air recirculation system with activation light • Interior pollen filter

Additional features	ES	Exclusiv	SRI	SRI VX-Line	Tech Line	SE	Elite	Price (£) exc. VAT	Total (£) inc. VAT
Air conditioning	●								
Single-zone Electronic Climate Control (ECC) incorporating air conditioning		●	●	●	●	●			
Dual-zone Electronic Climate Control (ECC) incorporating air conditioning with variable side-to-side temperature settings, multi-zone sun sensor and heat-reflective windscreen		□	□	□	□	○	●	262.50	315.00
Rear passenger compartment heating ducts		●	●	●	●	●	●		
Rear side window sunblinds		○ <sup>1</sup>	○ <sup>1</sup>	○ <sup>1</sup>	○ <sup>1</sup>	○	○	175.00	210.00

● = Standard equipment. ○ = Optional at extra cost. □ = Available as part of an extra-cost option pack. See option packs table.

<sup>1</sup> = Only available in conjunction with electrically operated rear windows.

# INSIGNIA FEATURES/OPTIONS

## FACIA, INSTRUMENTS AND CONTROLS

**Standard features** • Leather-covered three-spoke steering wheel • Driver information centre incorporating multi-function trip computer • Cruise control • Rev counter • Digital clock with automatic RDS time adjustment • Multi-function display showing time, date, audio information and outside air temperature • Steering column adjustable for reach and rake • Electronic odometer and trip odometer • Instrument panel light dimmer • Coolant temperature gauge

<b>Additional features</b>	ES	Exclusiv	SRI	SRI VX-Line	Tech Line	SE	Elite	Price (£) exc. VAT	Total (£) inc. VAT
Leather-covered three-spoke sports steering wheel			●						
VX-Line leather-covered three-spoke sports steering wheel, leather-covered gear knob (manual models only) and dark headlining			□	●		□	□		
Electrically heated steering wheel		□	□	□	□	□	○	162.50	195.00
Front camera system incorporating traffic sign recognition, lane departure warning, forward collision alert and following distance indicator <sup>2</sup>			○	○		○	○	625.00	750.00
Adaptive cruise control <sup>3</sup>			○	○		○	○	291.67	350.00
'Dynamic Red' instrument panel illumination <sup>4</sup> (fitted in conjunction with FlexRide system only)		○	○	○		○	○		

## INTERIOR LIGHTING

**Standard features** • Fade up/fade down courtesy lights operated by front and rear door switches • Illuminated luggage area and glovebox • Map reading lights integral with front courtesy light • Two rear reading lights • Illuminated driver's and front passenger's footwells

<b>Additional feature</b>	ES	Exclusiv	SRI	SRI VX-Line	Tech Line	SE	Elite	Price (£) exc. VAT	Total (£) inc. VAT
Interior ambient lighting		●	●	●	●	●	●		

## INTERIOR FEATURES

**Standard features** • Chrome internal door handles • Storage box on driver's side lower fascia • Lidded glovebox • Front and rear door pockets • Hinged luggage compartment cover (hatchback) • Fully carpeted luggage area • Carpeted rear seat back • 12-volt auxiliary power socket in front centre console • Boot/luggage area sill protection • Load restraint lashing eyes

<b>Additional features</b>	ES	Exclusiv	SRI	SRI VX-Line	Tech Line	SE	Elite	Price (£) exc. VAT	Total (£) inc. VAT
Twin sunvisors incorporating front passenger's vanity mirror with cover	●								
Twin sunvisors incorporating illuminated driver's and front passenger's vanity mirrors with covers	●	●	●	●	●	●			
Rapid Cool inserts on fascia and doors (with black interior trims)	●	●			●				
Rapid Warm inserts on fascia and doors (with beige interior trims)	●	●			●				
Piano black-effect inserts on fascia and doors			●	●		● <sup>5</sup>	● <sup>5</sup>		
Wood-effect inserts on fascia and doors (with beige interior trim)						●	●		
Sports pedals			●	●		□	□		
Electro-chromatic anti-dazzle rear-view mirror		□	□	□	□	●	●		

● = Standard equipment. ○ = Optional at extra cost. □ = Available as part of an extra-cost option pack. See option packs table.

2 = Only available in conjunction with Adaptive Forward Lighting. 3 = Only available in conjunction with front camera system. 4 = Standard on 2.0i 16v Turbo, 2.0CDTi 16v (195PS) BiTurbo and all 4X4 models. 5 = Fitted with black interior trim, and as part of the Premium Nappa Leather Pack.

# INSIGNIA FEATURES/OPTIONS

## SEATING AND UPHOLSTERY

**Standard features** • Driver's seat with electrical four-way lumbar adjustment • Driver's seat with tilt and electrical height adjustment • Front passenger's seat with reach and rake adjustment • Front centre armrest with storage facility

<b>Additional features</b>	ES	Exclusiv	SRI	SRI VX-Line	Tech Line	SE	Elite	Price (£) exc. VAT	Total (£) inc. VAT
Storage pockets on front seat backs		●	●	●	●	●	●		
Front passenger's seat with electrical four-way lumbar adjustment							●		
Front passenger's seat comfort pack incorporating six-way manual adjustment with electrical height and four-way lumbar adjustment		○	○ <sup>6</sup>	○ <sup>6</sup>	○	○	●	254.17	<b>305.00</b>
Driver's seat with eight-way electrical adjustment and memory function							●		
Sports front seats with ergonomic driver's seat including extendable seat cushion		○ <sup>7</sup>	●	●	○ <sup>7</sup>	□	□	345.83	<b>415.00</b>
Labyrinth cloth seat trim	●								
Dune cloth seat trim		●			●				
Ribbon cloth seat trim			●	●					
Ribbon cloth/Morrocana seat trim						●			
Leather seat facings		□			□	□	●		
Perforated leather seat facings			□	□		□	□		
Electrically heated front seats		□	□	□	□	□	●		
Premium Nappa leather upholstery			□	□		□	□		

## REAR PASSENGER COMPARTMENT

<b>Features</b>	ES	Exclusiv	SRI	SRI VX-Line	Tech Line	SE	Elite	Price (£) exc. VAT	Total (£) inc. VAT
12-volt auxiliary power socket behind front seats		●	●	●	●	●	●		
Fold-out rear seat centre armrest with load-through facility		●	●	●	●	●	●		
Rear seat drinks holders and storage box (in centre armrest)		●	●	●	●	●	●		
60/40 split-folding rear seat back	●	●	●	●	●	●	●		

## EXTERIOR LIGHTING

**Standard features** • Daytime running lights • Lights-on audible warning • LED centre brake light

<b>Additional features</b>	ES	Exclusiv	SRI	SRI VX-Line	Tech Line	SE	Elite	Price (£) exc. VAT	Total (£) inc. VAT
Automatic lighting control	●	●	●	●	●				
Automatic lighting control with tunnel detection		□	□	□	□	●	●		
Front fog lights	□	□	●	●	□	○ <sup>8</sup>	●	133.33	<b>160.00</b>
Electric headlight beam levelling	●	●	●	●	●	●			
Intelligent Adaptive Forward Lighting (AFL) incorporating bi-xenon headlights with dynamic beam levelling, LED daytime running lights and high-pressure headlight washers <sup>9</sup>		○	○	○	○	○	●	741.67	<b>890.00</b>

● = Standard equipment. ○ = Optional at extra cost. □ = Available as part of an extra-cost option pack. See option packs table.

<sup>6</sup> = Includes extendable seat cushions. <sup>7</sup> = Ribbon cloth seat trim replaces Dune cloth. <sup>8</sup> = Also available as part of the optional Plus Pack. <sup>9</sup> = Also includes Sight and Light Pack

# INSIGNIA FEATURES/OPTIONS

## EXTERIOR AND CONVENIENCE FEATURES

**Standard features** • Electrically operated front windows with one-touch facility • Twin electrically adjustable/heated door mirrors (wide-angle on driver's side) with automatic timed cut-off • Touch-sensitive boot lid/tailgate release • Interior boot lid release (saloon) • Tinted glass • Heated rear window with automatic timed cut-off • Intermittent rear window wash/wipe (hatchback/Sports Tourer) • Twin gas-assisted tailgate struts (hatchback/Sports Tourer)

<b>Additional features</b>	<b>ES</b>	<b>Exclusiv</b>	<b>SRi</b>	<b>SRi VX-Line</b>	<b>Tech Line</b>	<b>SE</b>	<b>Elite</b>	<b>Price (£) exc. VAT</b>	<b>Total (£) inc. VAT</b>
Rain-sensitive windscreen wipers		☐	☐	☐	☐	●	●		
Electrically foldable door mirrors (electro-chromatic anti-dazzle on driver's side)		○ <sup>10</sup>	○ <sup>10</sup>	○ <sup>10</sup>	○ <sup>10</sup>	○	●	150.00	<b>180.00</b>
Electrically operated rear windows with safety autoreverse		○	○	○	○	●	●	141.67	<b>170.00</b>
Front and rear parking distance sensors	○	○	○	○ <sup>11</sup>	○	○	●	329.17	<b>395.00</b>
Retractable tow bar with 13-pin socket <sup>12</sup>	○	○	○	○	○	○	○	454.17	<b>545.00</b>

## EXTERIOR STYLING AND PROTECTION

**Standard features** • Chrome-effect upper grille surround • Body-colour door mirrors • White indicators and side repeaters

<b>Additional features</b>	<b>ES</b>	<b>Exclusiv</b>	<b>SRi</b>	<b>SRi VX-Line</b>	<b>Tech Line</b>	<b>SE</b>	<b>Elite</b>	<b>Price (£) exc. VAT</b>	<b>Total (£) inc. VAT</b>
Chrome-effect side window surround		●	●	●	●	●	●		
Body-colour door handles	●	●	●	●	●				
Body-colour door handles with chrome-effect insert						●	●		
Body-colour rear lip spoiler (hatchback only)	●	●	●	●	●	●	●		
Chrome-effect front door sill covers		●	●	●	●	●	●		
Visible single exhaust tailpipe (1.4i 16v Turbo/1.8i 16v/2.0CDTi 16v (130/160PS))				●					
Visible dual branch exhaust tailpipes (2.0i 16v Turbo/2.8i V6 24v Turbo/2.0CDTi 16v (195PS) BiTurbo)			●	●			●		
Brilliant paint	○	○	○	○	○	○	○	166.67	<b>200.00</b>
Two-coat metallic or pearlescent paint	○	○	○	○	○	○	○	437.50	<b>525.00</b>

## FLEXRIDE SYSTEM AVAILABILITY

	<b>ES</b>	<b>Exclusiv</b>	<b>SRi</b>	<b>SRi VX-Line</b>	<b>Tech Line</b>	<b>SE</b>	<b>Elite</b>	<b>Price (£) exc. VAT</b>	<b>Total (£) inc. VAT</b>
1.4i 16v Turbo		○	○	○		○	○	658.33	<b>790.00</b>
2.0i 16v Turbo							●		
2.0CDTi 16v (130PS) – not available on ecoFLEX models			○	○				658.33	<b>790.00</b>
2.0CDTi 16v (160PS) – not available on ecoFLEX models		○	○ <sup>13</sup>	○ <sup>13</sup>		○	○ <sup>13</sup>	658.33	<b>790.00</b>
2.0CDTi 16v (195PS) BiTurbo			●	●			●		

## ADAPTIVE 4X4 AVAILABILITY

	<b>ES</b>	<b>Exclusiv</b>	<b>SRi</b>	<b>SRi VX-Line</b>	<b>Tech Line</b>	<b>SE</b>	<b>Elite</b>	<b>Price (£) exc. VAT</b>	<b>Total (£) inc. VAT</b>
2.8i V6 24v Turbo							● <sup>14</sup>		
2.0CDTi 16v (160PS) – not available on ecoFLEX models			▲ <sup>15</sup>	▲ <sup>16</sup>			▲		
2.0CDTi 16v (195PS) BiTurbo			▲ <sup>15</sup>	▲					

● = Standard equipment. ○ = Optional at extra cost. ▲ = See price pages for details. ☐ = Available as part of an extra-cost option pack. See option packs table.

<sup>10</sup> = Only available in conjunction with optional Sight and Light Pack or Premium Sensory Pack. <sup>11</sup> = Standard on VX-Line Red models. <sup>12</sup> = Not available on 1.4i 16v Turbo Sports Tourer models. <sup>13</sup> = Standard on 4X4 models. <sup>14</sup> = Only available on Elite Nav models. <sup>15</sup> = Sports Tourer models will be fitted with the low-cost optional 18-inch alloy wheels as standard. <sup>16</sup> = Only available on VX-Line Red models.

# INSIGNIA FEATURES/OPTIONS

## OPTION PACKS

	ES	Exclusiv	SRI	SRI VX-Line	Tech Line	SE	Elite	Price (£) exc. VAT	Total (£) inc. VAT
<b>ES Plus Pack</b> • 17-inch alloy wheels with 225/55 R 17 low profile tyres • Locking wheel nuts • Front fog lights	○							408.33	<b>490.00</b>
<b>Exclusiv Plus Pack</b> • 18-inch alloy wheels with 245/45 R 18 ultra-low profile tyres • Locking wheel nuts • Front fog lights		○						408.33	<b>490.00</b>
<b>Tech Line Plus Pack</b> • 18-inch alloy wheels with 245/45 R 18 ultra-low profile tyres • Locking wheel nuts • Front fog lights					○			408.33	<b>490.00</b>
<b>SE Plus Pack</b> • 19-inch alloy wheels with 245/40 R 19 ultra-low profile tyres • Front fog lights						○		425.00	<b>510.00</b>
<b>Premium Sensory Pack</b> • Dual-zone Electronic Climate Control (ECC) incorporating air conditioning • Tunnel detection for automatic lighting control • Rain-sensitive windscreen wipers • Electro-chromatic anti-dazzle rear-view mirror		○	○	○	○		●	345.83	<b>415.00</b>
<b>Sight and Light Pack</b> • Tunnel detection for automatic lighting control • Rain-sensitive windscreen wipers • Electro-chromatic anti-dazzle rear-view mirror		○	○	○	○	●	●	191.67	<b>230.00</b>
<b>Winter Pack</b> <sup>17</sup> • Electrically heated front seats • High-pressure headlight washers • Electrically heated leather-covered steering wheel		○	○ <sup>18</sup>	○	○	○		579.17	<b>695.00</b>
<b>Tech Pack</b> • Front and rear parking distance sensors • Mobile phone system with Bluetooth® (does not include phone or cradle) and shark fin aerial			○	○ <sup>11</sup>				425.00	<b>510.00</b>
<b>Exec Pack</b> • Dual-zone Electronic Climate Control (ECC) incorporating air conditioning • Tunnel detection for automatic lighting control • Rain-sensitive windscreen wipers • Electro-chromatic anti-dazzle rear-view mirror • Mobile phone system with Bluetooth® (does not include phone or cradle) and shark fin aerial			○	○ <sup>19</sup>				383.33	<b>460.00</b>
<b>Ergonomic Sport Seats Leather Pack</b> • Ergonomic sports front seats with extendable seat cushions • Perforated leather seat facings • Electrically heated front seats			○	○		○		954.17	<b>1145.00</b>
<b>Ergonomic Sport Seats Leather Pack</b> • Ergonomic sports front seats with extendable seat cushions • Perforated leather seat facings • Electrically heated front seats							○	345.83	<b>415.00</b>
<b>Comfort Leather Pack</b> • Leather seat facings • Electrically heated front seats		○			○	○	●	870.83	<b>1045.00</b>
<b>Premium Nappa Leather Pack</b> • Ergonomic sports front seats with extendable seat cushions • Nappa leather seat upholstery • Leather-trimmed head restraints, door panels and centre armrest • Electrically heated front seats • VX-Line leather-covered sports steering wheel and, on manual models, gear knob • Sports pedals • Piano black-effect inserts on fascia and doors • Dark headlining • Carpet mats			○	○ <sup>19</sup>		○	○	2550.00	<b>3060.00</b>
<b>VXR Styling Pack</b> • Body-colour front spoiler, side sills, rear lip spoiler and rear lower skirt (rear lip spoiler not available on Sports Tourer)		○	○	●		○ <sup>20</sup>	○ <sup>20</sup>	700.00	<b>840.00</b>
<b>SuperSport Pack</b> <sup>21</sup> • HiPerStrut front suspension system • Brembo 355mm diameter ventilated/cross-drilled front disc brakes and four-piston calipers • 20-inch bi-colour alloy wheels with 245/35 R 20 ultra-low profile tyres			○	○				1250.00	<b>1500.00</b>

● = Standard equipment. ○ = Optional at extra cost.

11 = Standard on VX-Line Red models. 17 = Only available on models with black interior trim, or in conjunction with Premium Nappa Leather Pack. Not available in conjunction with front camera system or adaptive cruise control. 18 = Includes VX-Line leather-covered three-spoke sports steering wheel, leather-covered gear knob (manual models only) and dark headlining. 19 = Not available on VX-Line Red models. 20 = Only available with optional 19-inch and 20-inch alloy wheels. 21 = Only available on 2.0CDTi 16v (195PS) BiTurbo 4X4 models.

# INSIGNIA FEATURES/OPTIONS

## ADDITIONAL SPORTS TOURER FEATURES AND OPTION PACKS

	ES	Exclusiv	SRI	SRI VX-Line	Tech Line	SE	Elite	Price (£) exc. VAT	Total (£) inc. VAT
Retractable luggage compartment cover	●	●	●	●	●	●	●		
DualFloor luggage compartment		●	●	●	●	●	●		
Vertical load-restraining net	○	○	○	○	○	○	○	175.00	210.00
Black roof rails	●								
Silver-effect roof rails		●	●	●	●	●	●		
Dark-tinted Solar Protect® glass (excludes windscreen and front door windows)			●	●		●	●		
Stainless steel trim on luggage compartment lip	○	●	●	●	○	●	●	45.83	55.00
Power tailgate		○	○	○	○	●	●	308.33	370.00
<b>FlexOrganiser® Pack</b> • Four side rails • 3D storage net • Side net pocket • Four side rail hooks	○	○	○	○	○	○	○	91.67	110.00
<b>Towing Pack</b> • Trailer stability programme • Automatic self-levelling rear suspension • Retractable tow bar with 13-pin socket		○ <sup>22</sup>				○ <sup>22</sup>	○ <sup>23</sup>	495.83	595.00

## AUDIO, COMMUNICATION AND NAVIGATION

Features	ES	Exclusiv	SRI	SRI VX-Line	Tech Line	SE	Elite	Price (£) exc. VAT	Total (£) inc. VAT
<b>CD 400 CD/MP3 CD player/stereo radio</b> • CD/MP3 CD player • AM/FM stereo radio with 36 station presets • Aux-in socket within centre armrest • Graphic display • RDS with Traffic Programme • 20 watts per channel output • 7 speakers • Roof-mounted flexible aerial	●	●	●	●		●	●		
<b>Navi 600 satellite navigation/CD/MP3 CD player/stereo radio</b> • SD card-based satellite navigation system • Multi-function infotainment controller • CD/MP3 CD player • AM/FM stereo radio with 36 station presets • USB connection, SD card slot and aux-in socket within centre armrest • 7-inch colour monitor • RDS with Traffic Programme • 20 watts per channel output • 7 speakers • Shark fin aerial		▲	▲	▲	●	▲	▲		
<b>Navi 900 satellite navigation CD/MP3 CD player/stereo radio</b> <sup>24</sup> • SD card-based satellite navigation system • Multi-function infotainment controller • CD/MP3 CD player • AM/FM stereo radio with 36 station presets • USB connection, SD card slot and aux-in socket within centre armrest • 7-inch colour monitor • RDS with Traffic Programme • 20 watts per channel output • 7 speakers • Shark fin aerial		○	○	○		○	○	1000.00	1200.00
<b>Navi 900 satellite navigation CD/MP3 CD player/stereo radio</b> • SD card-based satellite navigation system • Multi-function infotainment controller • CD/MP3 CD player • AM/FM stereo radio with 36 station presets • USB connection, SD card slot and aux-in socket within centre armrest • 7-inch colour monitor • RDS with Traffic Programme • 20 watts per channel output • 7 speakers • Shark fin aerial							○ <sup>25</sup>	291.67	350.00
Steering wheel mounted audio controls	●	●	●	●	●	●	●		
Mobile phone system with Bluetooth® (does not include phone or cradle)	○	○	○	○ <sup>11</sup>	●	○	○	183.33	220.00
Embedded mobile phone system with Bluetooth® (does not include phone or cradle) and shark fin aerial		○	○	○ <sup>19</sup>		○	○	350.00	420.00
DMB digital radio		○	○	○	●	●	●	133.33	160.00
USB connection within centre armrest	●	●	●	●	●	●	●		
Infinity® Premium Sound System		○	○	○	○	○	○	437.50	525.00

● = Standard equipment. ○ = Optional at extra cost. ▲ = See price pages for details.

<sup>11</sup> = Standard on VX-Line Red models. <sup>19</sup> = Not available on VX-Line Red models. <sup>22</sup> = Not available on 1.4i 16v Turbo, 2.0i 16v Turbo, 2.8i V6 24v Turbo or 2.0CDTi 16v (195PS) BiTurbo models, or in conjunction with optional FlexRide system. Vauxhall-approved accessory tow bars are available, please consult your Vauxhall retailer. <sup>23</sup> = Not available on 1.4i 16v Turbo, 2.0i 16v Turbo, 2.8i V6 24v Turbo or 2.0CDTi 16v (195PS) BiTurbo models, or in conjunction with optional FlexRide system. Vauxhall-approved accessory tow bars are available, please consult your Vauxhall retailer. <sup>24</sup> = Only available on non-Nav models. <sup>25</sup> = Only available on 2.0i 16v Turbo and 2.8i V6 24v Turbo Nav models.

# INSIGNIA FEATURES/OPTIONS

## SATELLITE NAVIGATION

The Navi 600 satellite navigation system, fitted as standard to Insignia Nav and Tech Line models, offers dynamic route guidance via RDS-TMC (Traffic Message Channel) with directions given audibly and via the 7-inch colour monitor. TMC is a specific application of RDS used for broadcasting real-time traffic information. It alerts the driver to a problem on the planned route and calculates an alternative route to avoid the incident.

In addition to route planning criteria such as 'shortest distance' or 'avoiding toll roads', you can now select an energy-optimised 'green route'. Here you can specify parameters such as if you are towing a caravan or have a roof box fitted. The system will use this information, in conjunction with known factors including your vehicle's weight and engine type, to calculate the most fuel-efficient route.

The SD card supplied with the system covers all major link roads and streets in towns and cities across mainland Britain and Ireland, plus trunk and main roads across more than 30 European countries. Additional country-specific maps with street level detail are available to download. The navigation data is loaded onto the unit's internal flash memory for fast access. The CD player plays regular audio CDs and MP3 tracks recorded to CD. The optional Navi 900 satellite navigation system adds a number of enhancements. The European mapping is expanded to street level detail, whilst 'pseudo 3D' map navigation and 'bird's eye view' offer depth perception, continuous zooming and smooth scrolling when homing in on your destination. A sophisticated Points of Interest menu enables you to choose attractions via a number of criteria – it even shows pictures of the option selected.

The voice recognition module enables you to operate the navigation system, radio (including DAB digital radio where fitted) and music selection via CD or USB by voice control. This means you can keep both hands on the steering wheel at all times. A logbook feature allows you to record details for individual journeys which can subsequently be downloaded via USB. Details recorded include start and finish locations with latitude/longitude, time and odometer stamp, whether private or business and any general comments you may wish to add.

## MP3 CD PLAYER

An MP3 is a compressed sound or music file and, due to its small size, it takes up less space on a compact disc, which means that more tracks can be recorded onto a CD. It's possible to fit almost 10 hours of music onto one CD, and, in a way, turn a single-disc CD/MP3 player into a multi-disc autochanger.

## AUX-IN SOCKET

The aux-in socket, located in the front centre armrest storage facility, allows you to connect your portable MP3 music player directly into the car's audio system. All you need is a suitable connecting lead and you can listen to all your favourite tunes through your car's speaker system. When using an MP3 player in the car the majority of the controls, such as track selection, remain solely on the player, while only the volume is controlled via the car's regular audio controls.

## USB CONNECTION

Fitted as standard to all Insignia models, the USB connection is located alongside the aux-in socket within the centre armrest. It provides iPod control and read-out of iPod functions through the audio system display. Traditional aux-in sockets only allow control of volume through the car's audio system. The USB connection also means that the iPod will charge whilst it is connected.

## DMB DIGITAL RADIO

Now widely available in the UK, digital multi-media broadcasts offer the user a variety of advantages over traditional FM, starting with the digital quality sound which is immune to any hiss or crackle. You'll often find a broader range of stations on offer too, many of which are not available on FM, and listening to them couldn't be easier – you simply select the station, by name, from the displayed list, thus removing the need to retune or look for stations when travelling around. Some stations will even display the artists' names and song titles on the car's graphic display, while they're played.

## VOICE-ACTIVATED MOBILE PHONE SYSTEM WITH BLUETOOTH®

Vauxhall's optional factory-fit dual-band mobile phone system has been considerably enhanced. Now fully integrated into the audio and communication system, it also features voice control and will connect wirelessly to phones with Bluetooth® technology. All the required information is displayed on the graphic information display when a mobile phone is in use, while the menus are easily navigated by either the steering wheel audio controls or the multi-function button on the radio. Certain functions can also be controlled by voice activation.

## VOICE-ACTIVATED EMBEDDED MOBILE PHONE SYSTEM WITH BLUETOOTH®





This is the next generation of in-car mobile phone system. The mobile phone's contacts, caller lists and phone settings are downloaded to the in-car flash drive and, once this synchronisation is complete, the car effectively becomes the phone. The mobile phone will sit in standby mode and the Bluetooth® function will no longer drain the battery, whilst all calls will be transmitted via the car's, rather than the mobile phone's, aerial. Any alterations that have been made to the contacts, caller lists etc. whilst the units have been synchronised will be transferred back to the mobile phone.

## INFINITY® PREMIUM SOUND SYSTEM

For the ultimate in premium sound performance Insignia can also be specified with the Infinity Sound System. Featuring a 7x45 Watt amplifier and Digital Sound Processor, the system comprises 9 premium speakers on saloon and 8 on hatchback and Sports Tourer, including 2 rear-mounted 6x9 inch subwoofers on saloon (1 rear-mounted subwoofer on 5-door/Sports Tourer models), 4 door-mounted 6.5 inch wide band speakers, 2x1 inch tweeters mounted in the A-pillar and 1 front-mounted 3.5 inch medium range unit. The unit is optional at extra cost on all Insignia models except ES.

# INSIGNIA FEATURES/OPTIONS

## WHEELS AND TYRES

	ES	Exclusiv	SRI	SRI VX-Line	Tech Line	SE	Elite	Price (£) exc. VAT	Total (£) inc. VAT
<b>Emergency tyre inflation kit (in lieu of spare wheel)</b>	●	●	●	●	●	●	●		
<b>Full-size steel spare wheel (in lieu of emergency tyre inflation kit)</b>		○	○		○	○	○	91.67	<b>110.00</b>
 <b>17-inch Structure wheels:</b> 225/50 R 17 tyres – ES models 225/55 R 17 tyres – Exclusiv models	●	●							
 <b>17-inch 7-spoke alloy wheels:</b> 225/55 R 17 tyres	□		● <sup>26</sup>		●	●			
 <b>18-inch 5-twinspoke alloy wheels:</b> 245/45 R 18 tyres		□							
 <b>18-inch 5-twinblade alloy wheels:</b> 245/45 R 18 tyres			○ <sup>27</sup>					129.17	<b>155.00</b>





● = Standard equipment. ○ = Optional at extra cost. □ = Available as part of an extra-cost option pack. See option packs table.

26 = Not available on 2.0CDTi 16v (195PS) BiTurbo or Sports Tourer 2.0CDTi 16v (160PS) 4X4 models. 27 = Standard on 2.0CDTi 16v (195PS) BiTurbo and Sports Tourer 2.0CDTi 16v (160PS) 4X4 models.



# INSIGNIA FEATURES/OPTIONS

## WHEELS AND TYRES



	ES	Exclusiv	SRI	SRI VX-Line	Tech Line	SE	Elite	Price (£) exc. VAT	Total (£) inc. VAT
 <b>19-inch 5-spoke alloy wheels:</b> 245/40 R 19 tyres			○	●				470.83	<b>565.00</b>
 <b>20-inch bi-colour alloy wheels:<sup>21</sup></b> 245/35 R 20 tyres			□	□					
 <b>18-inch 10-twin spoke alloy wheels:</b> 245/45 R 18 tyres					□	○		129.17	<b>155.00</b>
 <b>18-inch 10-spoke alloy wheels:</b> 245/45 R 18 tyres							●		

● = Standard equipment. ○ = Optional at extra cost. □ = Available as part of an extra-cost option pack. See option packs table.

<sup>21</sup> = Only available on 2.0CDTi 16v (195PS) BiTurbo 4X4 models.

# INSIGNIA FEATURES/OPTIONS






## WHEELS AND TYRES

	ES	Exclusiv	SRI	SRI VX-Line	Tech Line	SE	Elite	Price (£) exc. VAT	Total (£) inc. VAT
 <b>19-inch 10-spoke alloy wheels:</b> 245/40 R 19 tyres						☐	○	383.33	<b>460.00</b>
 <b>20-inch 5-twinspoke alloy wheels:</b> 245/35 R 20 tyres			○	● <sup>11</sup>		○	○	725.00	<b>870.00</b>

● = Standard equipment. ○ = Optional at extra cost. ☐ = Available as part of an extra-cost option pack. See option packs table.

<sup>11</sup> = Standard on VX-Line *Red* models only.

## TYRE RATING

Tyre size	Fuel efficiency group	Wet grip performance	External noise	
			Measured (dB)	Group
225/50 R 17	C	C	71	
225/55 R 17	C-E	B	71	
245/45 R 18	C-E	B	68-76	
245/40 R 19	E	B	68	
245/35 R 20	F	B	71	

Tyre rating according to EU Regulation 1222/2009

# INSIGNIA SPECIFICATIONS

## PETROL ENGINES

	<b>1.8i 16v VVT ECOTEC-4</b>	<b>1.4i 16v Turbo ECOTEC-4 Start/Stop</b>	<b>2.0i 16v Turbo ECOTEC-4 aluminium with and without Start/Stop</b>
Capacity	1796cc	1364cc	1998cc
Maximum power	140PS (103kW) @ 6300rpm	140PS (103kW) @ 4900-6000rpm	220PS (162kW) @ 5300rpm
Maximum torque	175Nm (129 lb.ft.) @ 3800rpm	200Nm (147 lb.ft.) @ 1850-4900rpm	350Nm (258 lb.ft.) @ 2000-4000rpm
Configuration	4 cylinders, 4 valves per cylinder, double overhead camshafts	4 cylinders, 4 valves per cylinder, double overhead camshafts	4 cylinders, 4 valves per cylinder, double overhead camshafts
Fuel/induction system	Naturally aspirated Variable Valve Timing (VVT) Multi-point sequential fuel injection	Turbocharger with intercooler. Multi-point sequential fuel injection	Water-cooled twin-scroll turbocharger with intercooler. Multi-point direct fuel injection
Emission compliance	Euro 5	Euro 5	Euro 5
Service interval	20,000 miles or 1 year (whichever occurs sooner)	20,000 miles or 1 year (whichever occurs sooner)	20,000 miles or 1 year (whichever occurs sooner)
<b>Benefit in kind company car taxation rates – 2012/13 tax year</b>			
		<b>Hatchback/Saloon/Sports Tourer</b>	
Manual	24%/ - / -	16%/16%/17%	26%/ - / -
Automatic	-	-	32%/ - / -
Automatic 4X4	-	-	- / - / -

	<b>2.8i V6 24v Turbo ECOTEC aluminium</b>
Capacity	2792cc
Maximum power	260PS (191kW) @ 5500rpm
Maximum torque	350Nm (258 lb.ft.) @ 1900-4500rpm
Configuration	6 cylinders, 4 valves per cylinder, double overhead camshafts
Fuel/induction system	Water-cooled twin-scroll turbocharger with intercooler. Multi-point sequential fuel injection
Emission compliance	Euro 5
Service interval	20,000 miles or 1 year (whichever occurs sooner)
<b>Benefit in kind company car taxation rates – 2012/13 tax year</b>	
	<b>Hatchback/Saloon/Sports Tourer</b>
Manual	-
Automatic	-
Automatic 4X4	35%/35%/35%

# INSIGNIA SPECIFICATIONS

## TURBO DIESEL ENGINES

	<b>2.0CDTi 16v (130PS) ECOTEC-4</b>	<b>2.0CDTi 16v (130PS) ecoFLEX Start/Stop</b>	<b>2.0CDTi 16v (160PS) ECOTEC-4 with and without Start/Stop</b>
Capacity	1956cc	1956cc	1956cc
Maximum power	130PS (96kW) @ 4000rpm	130PS (96kW) @ 4000rpm	160PS (118kW) @ 4000rpm
Maximum torque	300Nm (221 lb.ft.) @ 1750-2500rpm	300Nm (221 lb.ft.) @ 1750-2500rpm	350Nm (258 lb.ft.) @ 1750-2500rpm
Configuration	4 cylinders, 4 valves per cylinder, double overhead camshafts	4 cylinders, 4 valves per cylinder, double overhead camshafts	4 cylinders, 4 valves per cylinder, double overhead camshafts
Fuel/induction system	Turbocharger with intercooler. Common rail fuel injection	Turbocharger with intercooler. Common rail fuel injection	Variable geometry turbocharger with intercooler. Common rail fuel injection
Emission compliance	Euro 5 with Diesel Particulate Filter	Euro 5 with Diesel Particulate Filter	Euro 5 with Diesel Particulate Filter
Service interval	20,000 miles or 1 year (whichever occurs sooner)	20,000 miles or 1 year (whichever occurs sooner)	20,000 miles or 1 year (whichever occurs sooner)

### *Benefit in kind company car taxation rates – 2012/13 tax year*

	<b>Hatchback/Saloon/Sports Tourer</b>		
Manual	18%/18%/19%	16%/16%/17%	19%/19%/20%
Manual 4X4	-	-	23%/-/23%
Automatic	22%/-/-	-	23%/23%/25%
Automatic 4X4	-	-	27%/27%/29%

	<b>2.0CDTi 16v (160PS) ecoFLEX Start/Stop</b>	<b>2.0CDTi 16v (195PS) BiTurbo ECOTEC-4 with and without Start/Stop</b>
Capacity	1956cc	1956cc
Maximum power	160PS (118kW) @ 4000rpm	195PS (143kW) @ 4000rpm
Maximum torque	350Nm (258 lb.ft.) @ 1750-2500rpm	400Nm (295 lb.ft.) @ 1750-2500rpm
Configuration	4 cylinders, 4 valves per cylinder, double overhead camshafts	4 cylinders, 4 valves per cylinder, double overhead camshafts
Fuel/induction system	Variable geometry turbocharger with intercooler. Common rail fuel injection	2 turbochargers with intercooler. Common rail fuel injection
Emission compliance	Euro 5 with Diesel Particulate Filter	Euro 5 with Diesel Particulate Filter
Service interval	20,000 miles or 1 year (whichever occurs sooner)	20,000 miles or 1 year (whichever occurs sooner)

### *Benefit in kind company car taxation rates – 2012/13 tax year*

	<b>Hatchback/Saloon/Sports Tourer</b>	
Manual	16%/16%/17%	19%/-/20%
Manual 4X4	-	23%/-/23%
Automatic	-	25%/-/25%

# INSIGNIA SPECIFICATIONS

## PERFORMANCE, FUEL ECONOMY AND EMISSIONS – HATCHBACK/SALOON MODELS

	Performance (manufacturer's figures)		Fuel economy mpg (litres/100km)			CO <sub>2</sub> emissions g/km	First year rate	VED*	
	Maximum speed (mph)	Acceleration 0-60mph (sec)	Urban driving	Extra- urban driving	Combined figure			Standard rate	
<b>Manual</b>									
1.8i 16v VVT	129	10.8	28.0 (10.1)	51.4 (5.5)	39.2 (7.2)	169	£275	£195	
1.4i 16v Turbo	127	10.1	40.4 (7.0)	61.4 (4.6)	51.4 (5.5)	129	£0	£100	
2.0i 16v Turbo	150	7.2	26.2 (10.8)	48.7 (5.8)	37.2 (7.6)	179	£325	£215	
2.0CDTi 16v (130PS)	127	10.4	47.1 (6.0)	72.4 (3.9)	60.1 (4.7)	124	£0	£100	
2.0CDTi 16v (130PS) ecoFLEX	129	10.4	55.4 (5.1)	74.3 (3.8)	65.7 (4.3)	114	£0	£30	
2.0CDTi 16v (160PS)	135	8.9	44.8 (6.3)	72.4 (3.9)	58.9 (4.8)	127	£0	£100	
2.0CDTi 16v (160PS) 4X4	134	9.6	40.4 (7.0)	58.9 (4.8)	50.4 (5.6)	149	£135	£135	
2.0CDTi 16v (160PS) ecoFLEX	137	8.9	53.3 (5.3)	76.3 (3.7)	65.7 (4.3)	114	£0	£30	
2.0CDTi 16v (195PS)	143	8.2	46.3 (6.1)	67.3 (4.2)	57.6 (4.9)	129	£0	£100	
2.0CDTi 16v (195PS) 4X4	142	8.4	42.2 (6.7)	58.9 (4.8)	51.4 (5.5)	146	£135	£135	
<b>Automatic</b>									
2.0i 16v Turbo	149	7.3	21.6 (13.1)	44.8 (6.3)	32.1 (8.8)	206	£600	£270	
2.8i V6 24v Turbo 4X4	155	6.7	17.0 (16.6)	36.7 (7.7)	25.7 (11.0)	258	£1030	£475	
2.0CDTi 16v (130PS)	127	10.5	38.7 (7.3)	64.2 (4.4)	52.3 (5.4)	144	£135	£135	
2.0CDTi 16v (160PS)	134	9.0	35.8 (7.9)	65.7 (4.3)	49.6 (5.7)	149	£135	£135	
2.0CDTi 16v (160PS) 4X4	132	9.9	32.5 (8.7)	56.5 (5.0)	44.1 (6.4)	169	£275	£195	
2.0CDTi 16v (195PS)	140	8.3	35.8 (7.9)	60.1 (4.7)	47.9 (5.9)	155	£170	£170	

\*VED = Vehicle Excise Duty. Correct at time of publication (November 2012).

Fuel consumption and CO<sub>2</sub> emission data complies with the relevant EU testing regulations used by vehicle manufacturers to enable comparisons between different models. **Important:** Please note fuel consumption can be affected by many factors including driving style, road and traffic conditions, vehicle mileage and standard of maintenance. In addition these results relate to the particular vehicle tested, inevitably there will be differences between individual vehicles of the same model.

Vauxhall supporting



### SMARTER DRIVING TIPS

- **Drive at an appropriate speed:** – Staying within the speed limit increases driver safety, reduces CO<sub>2</sub> emissions and saves fuel. At 70mph you could be using up to 9% more fuel than at 60mph and up to 15% more fuel than at 50mph
- **Drive smoothly at all times:** – Anticipate the ebb and flow of the traffic to avoid harsh acceleration and braking
- **Reduce your revs:** – Change gear earlier to help reduce fuel consumption – try 2500rpm with petrol engines and 2000rpm with diesel
- **Idling is wasting fuel:** – If you're likely to be at a standstill for more than three minutes, switch off the engine to save fuel
- **Regularly check your tyre pressures:** – Under inflated tyres increase CO<sub>2</sub> emissions whilst incorrectly inflated tyres can be unsafe. Always check your handbook for the correct tyre pressure. This will also help to increase the life of your tyres
- **Remove unnecessary items from the car:** – Extra weight increases the engine's workload, whilst roof racks and bike carriers increase wind resistance. All burn more fuel and increase CO<sub>2</sub> emissions

# INSIGNIA SPECIFICATIONS

## PERFORMANCE, FUEL ECONOMY AND EMISSIONS – SPORTS TOURER MODELS

	Performance (manufacturer's figures)		Fuel economy mpg (litres/100km)			CO <sub>2</sub> emissions g/km	First year rate	VED* Standard rate
	Maximum speed (mph)	Acceleration 0-60mph (sec)	Urban driving	Extra- urban driving	Combined figure			
<b>Manual</b>								
1.4i 16v Turbo	124	11.1	38.7 (7.3)	58.9 (4.8)	49.6 (5.7)	134	£120	£120
2.0CDTi 16v (130PS)	124	10.9	45.6 (6.2)	68.9 (4.1)	57.6 (4.9)	129	£0	£100
2.0CDTi 16v (130PS) ecoFLEX	124	10.9	53.3 (5.3)	70.6 (4.0)	62.8 (4.5)	119	£0	£30
2.0CDTi 16v (160PS)	132	9.3	43.5 (6.5)	67.3 (4.2)	55.4 (5.1)	134	£120	£120
2.0CDTi 16v (160PS) 4X4	130	10.0	40.9 (6.9)	57.6 (4.9)	50.4 (5.6)	149	£135	£135
2.0CDTi 16v (160PS) ecoFLEX	134	9.3	50.4 (5.6)	72.4 (3.9)	62.8 (4.5)	119	£0	£30
2.0CDTi 16v (195PS)	140	8.4	44.1 (6.4)	65.7 (4.3)	55.4 (5.1)	134	£120	£120
2.0CDTi 16v (195PS) 4X4	139	8.6	40.9 (6.9)	57.6 (4.9)	50.4 (5.6)	149	£135	£135
<b>Automatic</b>								
2.8i V6 24v Turbo 4X4	154	7.0	16.5 (17.1)	35.8 (7.9)	25.0 (11.3)	265	£1030	£475
2.0CDTi 16v (160PS)	130	9.5	35.3 (8.0)	61.4 (4.6)	47.9 (5.9)	155	£170	£170
2.0CDTi 16v (160PS) 4X4	129	10.2	32.1 (8.8)	53.3 (5.3)	42.8 (6.6)	175	£275	£195
2.0CDTi 16v (195PS)	137	8.5	35.3 (8.0)	58.9 (4.8)	47.1 (6.0)	158	£170	£170

\*VED = Vehicle Excise Duty. Correct at time of publication (November 2012).

Fuel consumption and CO<sub>2</sub> emission data complies with the relevant EU testing regulations used by vehicle manufacturers to enable comparisons between different models. **Important:** Please note fuel consumption can be affected by many factors including driving style, road and traffic conditions, vehicle mileage and standard of maintenance. In addition these results relate to the particular vehicle tested, inevitably there will be differences between individual vehicles of the same model.

### VAUXHALL LIFETIME WARRANTY

We're so confident in Vauxhall quality and reliability that we are now able to offer a lifetime warranty. Available to the first owner of all new Vauxhall passenger cars, it's valid for the lifetime of the vehicle up to a maximum of 100,000 miles\*.

In addition our warranty also includes Vauxhall Assistance for 12 months from first registration and six years body panel anti-perforation warranty. Full details of Vauxhall's warranties including terms, conditions and exclusions can be obtained through any authorised Vauxhall Retailer or go to [www.vauxhall.co.uk/warranty](http://www.vauxhall.co.uk/warranty)

**LIFETIME**  
**WARRANTY 100,000 MILE**

\*Vauxhall Lifetime Warranty covers lifetime ownership of first car owner. 100,000 mile limit, annual check required. The warranty excludes wear and tear and serviceable items and the vehicle must be serviced in accordance with the manufacturer's servicing schedule to continue the lifetime warranty. Terms and conditions apply. Offer available to all Vauxhall passenger cars. (this offer does not apply to car-derived vans) from 1st August 2010.

# INSIGNIA SPECIFICATIONS

## TRANSMISSION

### Six-speed manual gearbox

Standard on all models excluding Elite 2.0CDTi 16v (195PS) BiTurbo/2.8i V6 24v.

### Six-speed automatic transmission with ActiveSelect® function

Standard on: Elite 2.0CDTi 16v (195PS) BiTurbo/2.8i V6 24v models.

Optional on: 2.0i 16v Turbo/2.0CDTi 16v (130PS/160PS) models.

- Electronically controlled with adaptive driving function
- Fluid drive with torque converter, lock-up clutch, neutral control fuel-saving feature and ActiveSelect®

### Adaptive 4X4

Electronically controlled permanent four-wheel drive with variable torque split between front and rear axles.

- Torque transfer device: When pulling away from standstill, or under acceleration, more power is diverted to the rear wheels for maximum grip
- Electronic limited-slip differential: Fitted to the rear axle, it can transfer up to 50% of the rear axle torque between the rear wheels

## STEERING

- Power-assisted steering
- Turning circle (kerb-to-kerb):  
– 11.0m (36.1ft.)

## SUSPENSION

**Front:** Independent. Lightweight MacPherson struts with gas-pressure dampers and coil springs. Anti-roll bar.

**Rear:** Lightweight multi-link with rising-rate mini-block coil springs (linear rate on 4X4 models) and gas-pressure dampers.

Anti-roll bar. 4X4 models feature revised rear subframe and suspension geometry.

- SRi – lowered sports suspension

### FlexRide (Adaptive Stability Technology) system

FlexRide offers drivers the choice of three distinct driving modes – Normal (default setting), Sport or Tour.

- Sport mode: This stiffens the car's suspension and sharpens steering and throttle responses. It also raises the threshold at which the ESP and traction

control systems are activated, enhancing dynamic performance. And on models featuring Adaptive 4X4 the emphasis is switched more towards rear-wheel drive

- Tour mode: Ideal for long motorway journeys, the Tour mode adjusts the dampers to a softer setting to create a perceptibly smoother ride and further enhance Insignia's ride comfort
- Continuous damping control: Utilises data from up to 11 variables including acceleration, braking and cornering to constantly control the suspension for optimum stability, driver engagement and comfort. Operates in all three driving modes
- Gas-filled rear dampers: Insignia's rear dampers are increased to 37mm diameter for enhanced performance

## BRAKES

- Anti-lock Braking System (ABS)
- Dual circuit, diagonally split braking system
- Disc brakes all round

**1.4i 16v Turbo/1.8i 16v VVT/2.0CDTi 16v (130PS)/2.0CDTi 16v (130PS) ecoFLEX/2.0CDTi 16v (160PS) manual hatch/saloon/2.0CDTi 16v (160PS) ecoFLEX hatch/saloon**

Front ventilated: 296mm diameter

Rear solid: 292mm diameter

**2.0i 16v Turbo/2.0CDTi 16v (160PS)**

**manual Sports Tourer/2.0CDTi 16v (160PS)**

**automatic/2.0CDTi 16v (160PS) ecoFLEX Sports Tourer/2.0CDTi 16v (195PS) BiTurbo**

Front ventilated: 321mm diameter

Rear ventilated: 315mm diameter

**2.8i V6 24v Turbo 4X4**

Front ventilated: 337mm diameter

Rear ventilated: 315mm diameter

## FUEL TANK CAPACITY

All models: 70 litres (15.4 gallons)

## WEIGHTS AND TOWING DATA kg

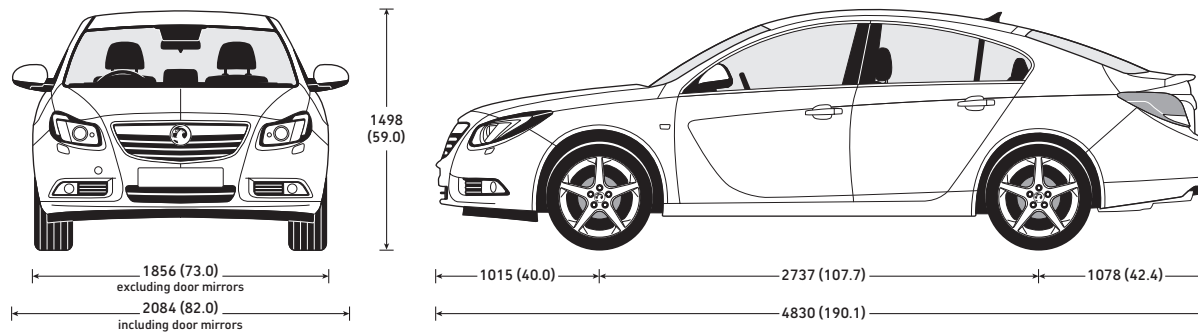
	Gross vehicle weight			Max. towing weights	
	Hatchback	Saloon	Sports Tourer	Trailer with brakes (without brakes) Hatchback/Saloon	Sports Tourer
1.8i 16v VVT	2040	–	–	1400 (750)	–
1.4i 16v Turbo	2065	2060	2130	1250 (750)	1200 (750)
2.0i 16v Turbo	2160	–	–	1700 (750)	–
2.0i 16v Turbo auto.	2175	–	–	1700 (750)	–
2.8i V6 24v Turbo 4X4 auto.	2355	2340	2490	1800 (750)	1700 (750)
2.0CDTi 16v (130PS) exc. ecoFLEX	2140	2125	2285	1600 (750)	1600 (750)
2.0CDTi 16v (130PS) auto.	2170	–	–	1600 (750)	–
2.0CDTi 16v (130PS) ecoFLEX	2155	2140	2300	1600 (750)	1600 (750)
2.0CDTi 16v (160PS) inc. ecoFLEX	2145	2130	2275	1600 (750)	1600 (750)
2.0CDTi 16v (160PS) auto.	2170	2155	2315	1600 (750)	1600 (750)
2.0CDTi 16v (160PS) 4X4	2310	–	2415	1800 (750)	1800 (750)
2.0CDTi 16v (160PS) 4X4 auto.	2315	2305	2440	1800 (750)	1700 (750)
2.0CDTi 16v (195PS) BiTurbo	2205	–	2330	1700 (750)	1700 (750)
2.0CDTi 16v (195PS) BiTurbo auto.	2220	–	2345	1700 (750)	1700 (750)
2.0CDTi 16v (195PS) BiTurbo 4X4	2325	–	2425	1800 (750)	1800 (750)

Gross vehicle weight is the total permissible weight of the vehicle including passengers and their luggage. The maximum roof rack loading should not exceed 100kg. The maximum towing weights are based on the ability of the car, with two occupants of 75kg each, to restart on a 12% gradient, which is approximately 1 in 8.3, at sea level. At altitudes above 1500 metres, the engine output may drop with a corresponding reduction in towing capability. Any extra weight, such as luggage or additional passengers, should be deducted from the maximum towing weight. With a trailer fully loaded, maximum noseweight should not exceed 85kg. Always fit Vauxhall towing attachments and accessories available from your Vauxhall retailer. They are designed specifically for Vauxhall models and carry a 12-month guarantee.

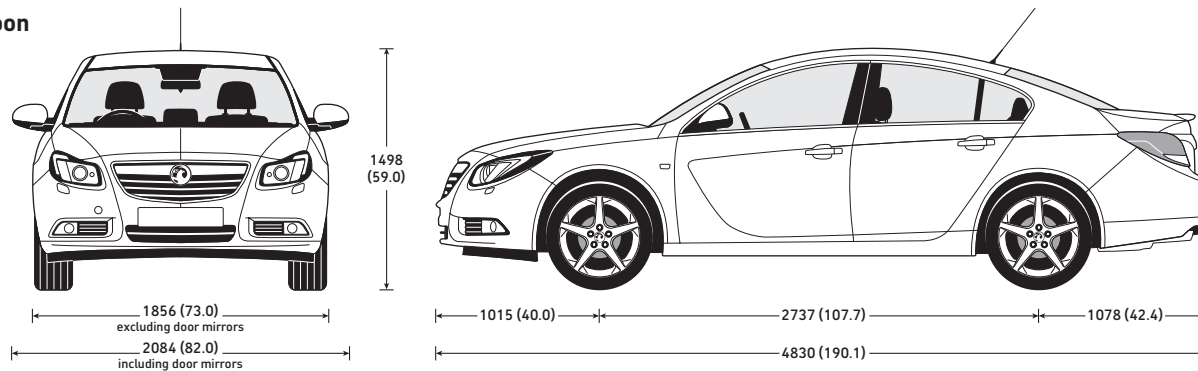
# INSIGNIA SPECIFICATIONS

## EXTERIOR DIMENSIONS millimetres (inches)

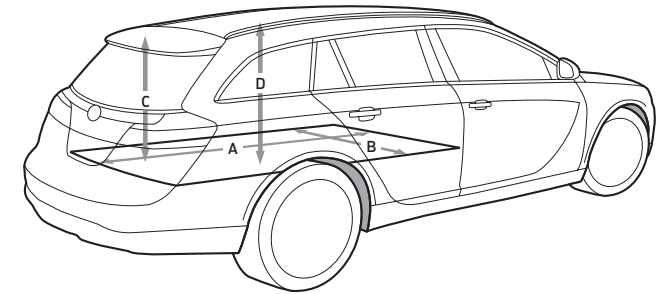
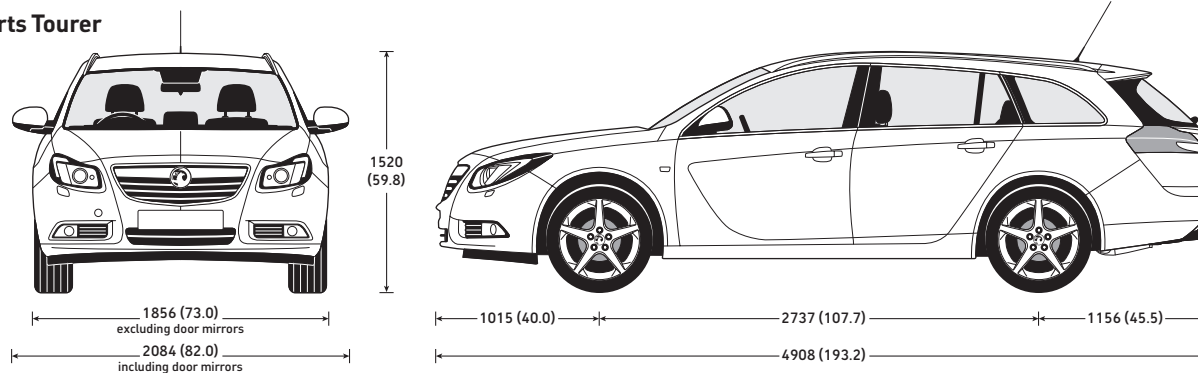
### Hatchback



### Saloon



### Sports Tourer



## LOADSPACE DIMENSIONS millimetres (inches)

	Sports Tourer
Maximum load floor length – rear seats folded (A)	1908 (75.1)
Maximum load floor length – rear seats up	1086 (42.8)
Maximum rear floor width (B)	1060 (41.7)
Maximum load area height (D)	778 (30.6)
Loading height from ground level (unladen)	650 (25.6)
Maximum tailgate aperture width	1064 (41.9)
Maximum tailgate aperture height (C)	684 (26.9)
Maximum load area height beneath luggage compartment cover	447 (17.6)

## LUGGAGE CAPACITIES\* litres (cu.ft.)

	Load volume (minimum)**	Load volume (maximum)
Hatchback	530 (18.7)	1470 (51.9) <sup>†</sup>
Saloon	500 (17.7)	1015 (35.8) <sup>††</sup>
Sports Tourer	540 (19.1)	1530 (54.0) <sup>†</sup>

\* = Measured using the ECIE method. \*\* = Under luggage compartment cover – rear seats up.  
<sup>†</sup> = To roof – rear seats folded. <sup>††</sup> = To upper edge of front seat back.



# INSIGNIA ACCESSORIES

	Total (inc. VAT)
<b>INFOTAINMENT*</b>	
<b>iPod connection kit</b>	
Connects2 i-Connect FM – FM modular	£130.00
<b>Bury Bluetooth® phone kits</b>	
CV9040 – Portable, colour screen, voice recognition	£160.00
Classic – Fully integrated, phone charging function, illuminated controls	£200.00
CC9060 – Fully integrated, detachable colour screen, voice recognition	£290.00
CV9060 Music – Fully integrated, detachable colour screen, iPod control, voice recognition	£330.00
<b>Garmin Portable Sat Navs (includes case)</b>	
Nüvi 40 (UK/Ireland) – 4.3-inch screen	£110.00
Nüvi 2415 (UK/Ireland) – 4.3-inch screen, Bluetooth, eco route	£140.00
Nüvi 2415LT (UK/Ireland) – 4.3-inch screen, Bluetooth, eco route, lifetime traffic alerts	£160.00
Nüvi 2515 (UK/Ireland) – 5-inch screen, Bluetooth, eco route	£150.00
Nüvi 2515LT (UK/Ireland) – 5-inch screen, Bluetooth, eco route, lifetime traffic alerts	£170.00
Nüvi 2495LMT (Europe) – 4.3-inch screen, Bluetooth, lifetime map updates/traffic alerts	£220.00
Nüvi 2595LMT (Europe) – 5-inch screen, Bluetooth, lifetime map updates/traffic alerts	£230.00
<b>Multimedia units</b>	
Zenec ZE-NC524 – 6.1-inch touchscreen, sat nav (Europe), Bluetooth, iPod control, DVD/CD player, MW/FW radio	£1050.00
Clarion CX501E – Bluetooth, iPod control, CD player, LW/MW/FM radio	£600.00
Clarion NX302** – 6.2-inch touchscreen, sat nav (Europe), Bluetooth, iPod control, MW/FM radio	£1000.00
Clarion NX501ERV – 6.2-inch touchscreen, sat nav (Europe), Bluetooth, iPod control, DVD/CD/MP3 CD player, MW/LW radio	£1250.00

	Total (inc. VAT)
<b>DAB digital radio*</b>	
Fully integrated DAB digital radio	£195.00
<b>Sat Nav updates<sup>1</sup></b>	
Please consult your retailer for latest map updates or visit <a href="http://www.vauxhall.co.uk/accessories">www.vauxhall.co.uk/accessories</a> .	
1 = For use with optional factory-fit satellite navigation systems.	
<b>CHILD SEATS<sup>2</sup></b>	
BABY-SAFE <sup>3</sup> – 0-13kg/birth to 15 months	£120.00
– ISOFIX base	£185.00
– ISOFIX bracket	£215.00
DUO ISOFIX <sup>3</sup> – 9-18kg/9 months to 4 years with top tether kit	£280.00
KID <sup>3</sup> – 15-36kg or 4 to 12 years	£125.00
2 = Restrictions apply to the use of child seats, please consult your Vauxhall retailer.	
3 = Without transponder.	
<b>SAFETY</b>	
Privacy shades – rear side windows	£53.00
Privacy shades – tailgate window	£63.00
<b>Parking sensors*</b>	
– two sensor rear number plate mounted	£230.00
– four sensor front number plate mounted	£250.00
– four sensor rear bumper mounted	
– unpainted	£300.00
– painted	£330.00
<b>Safety Pack – first aid kit, warning triangle, hi-visibility vest, Vauxhall bag</b>	
hi-visibility vest, Vauxhall bag	£20.00
First aid kit	£12.00
Warning triangle	£14.00
Hi-visibility vest	£7.00
Fire extinguisher – 2kg	£30.00
Temporary tyre inflation kit	£114.00
Tyre sealant – 700ml	£44.00
<b>SECURITY</b>	
Locking wheel bolts – set of four	£50.00
Steering wheel security bar	£70.00

	Total (inc. VAT)
<b>PRACTICAL</b>	
Premium spare bulb kit <sup>4</sup>	£20.00
<b>Jump leads</b>	
– petrol engines (16mm standard)	£39.00
– petrol/diesel engines (25mm heavy duty)	£67.00
Fuel can – 5 litre	£17.00
Fuel can – 10 litre	£27.00
Stretch tow rope – 2 tonne	£27.00
4 = Excludes xenon headlight bulb for models with Adaptive Forward Lighting (AFL)	
<b>PROTECTION</b>	
Economy floor mats – set of four	£25.00
Rubber floor mats – set of four	£45.00
Velour floor mats – set of four (black or brown)	£50.00
Pedal covers – alloy effect	£90.00
Smoker pack	£34.00
Cargo liner – all models	£60.00
Dog guard – Sports Tourer*	£123.00
<b>FlexOrganiser® System – Sports Tourer</b>	
– side net pocket	£29.00
– fixing adaptor	£7.00
– side rail hook (each)	£1.40
– fixing strap	£27.00
– fold-flat storage box	£21.00
Mudflaps front and rear* <sup>5</sup>	£90.00

5 = Not available with certain exterior styling accessories.

	Total (inc. VAT)
<b>TOURING</b>	
T-track base carrier	£115.00
Thule aluminium bicycle carrier <sup>6</sup>	£95.00
Thule ski carrier <sup>6</sup>	from £105.00
Thule extendable ski carrier <sup>6</sup>	£185.00
Thule aluminium surfboard carrier <sup>6</sup>	£81.00
<b>Thule roof boxes<sup>6</sup></b>	
– Ocean 80 hard roof box (340 litres)	£190.00
– Pacific 200 hard roof box (460 litres)	from £320.00
– Ranger 90 soft roof box (340 litres)	£230.00
<b>Fixed tow bar*</b>	
– 12N electrics	£450.00
– 13 pin electrics	£495.00
<b>Detachable tow bar*</b>	
– 12N electrics	£585.00
– 13 pin electrics	£650.00
<b>Two-bicycle tow bar carrier with rear lights – requires rear number plate</b>	
Additional bicycle carrier for use with two-bicycle carrier	£80.00

6 = Must be used in conjunction with a base carrier.

## VXR EXTERIOR STYLING

<b>VXR styling pack one<sup>†</sup> – hatchback/saloon</b>	
• Front lower spoiler • Rear lower skirt	
• Rear lip spoiler • Side sills	£1600.00
<b>VXR styling pack one<sup>†</sup> – Sports Tourer</b>	
• Front lower spoiler • Rear lower skirt	
• Side sills	£1600.00
<b>VXR rear lip/roof spoiler<sup>†</sup></b>	
– hatchback/saloon	£340.00

## ALLOY WHEELS (set of four with centre caps)\*<sup>7</sup>

17-inch 7-spoke	£650.00
18-inch 13-spoke	£800.00
18-inch 5-twin-spoke	£800.00
19-inch 10-spoke	£950.00
20-inch 5-twin-spoke	£1350.00

7 = Fitting time is based on four wheels fitted including static wheel balancing. Different tyres and locking wheel nuts may be required. Price excludes new tyres and locking wheel nuts.

\* = Fully fitted price – available at participating retailers.

\*\* = CD player not included.

† = Painted and fully fitted price – available at participating retailers.

# INSIGNIA ADDITIONAL INFORMATION

## ON-THE-ROAD PRICES

To eliminate uncertainty about hidden costs when buying a new car, Vauxhall publishes on-the-road recommended retail prices (RRP) and these are shown in the pricing tables within this price guide. These prices include the recommended cost of number plates and delivery to a Vauxhall retailer of £700.00 (including £116.67 VAT), 12 months' Government Vehicle Excise Duty (see opposite for details) and the DVLA new vehicle first registration fee of £55.00\*.

Please note: The on-the-road recommended retail price (RRP) does not include fuel supplied by the retailer, motor insurance or any other goods or services supplied by agreement between the retailer and the customer.

## PRICE PROTECTION

Order a new Vauxhall for build in the current model year (as confirmed by your retailer) for delivery no more than three months in advance and the price you are quoted is the price you pay. This is irrespective of any subsequent price rises between placing your order and delivery of your new car, but you must take delivery as soon as the car is available. General Motors UK Limited is not liable for price adjustments caused by Government changes in the rate of VAT (currently 20%), Vehicle Excise Duty, DVLA new vehicle first registration fee or by any other applicable legislation or regulations.

## VEHICLE EXCISE DUTY

The amount of Vehicle Excise Duty (road fund licence) payable on new cars varies depending on the level of carbon dioxide (CO<sub>2</sub>) emissions produced by the vehicle. CO<sub>2</sub> emissions are measured in grammes (g) per kilometre (km) travelled and divided into 13 charging bands shown in the table below.

From 1 April 2010 the Government introduced a new 'first year rate' of Vehicle Excise Duty payable on all new cars. In subsequent years the amount of Vehicle Excise Duty payable will revert to the standard rate.

### Vehicle Excise Duty\*

	CO <sub>2</sub> emissions	First year rate	Standard rate
Band A	up to 100g/km	£0.00	£0.00
Band B	101-110g/km	£0.00	£20.00
Band C	111-120g/km	£0.00	£30.00
Band D	121-130g/km	£0.00	£100.00
Band E	131-140g/km	£120.00	£120.00
Band F	141-150g/km	£135.00	£135.00
Band G	151-165g/km	£170.00	£170.00
Band H	166-175g/km	£275.00	£195.00
Band I	176-185g/km	£325.00	£215.00
Band J	186-200g/km	£460.00	£250.00
Band K	201-225g/km	£600.00	£270.00
Band L	226-255g/km	£815.00	£460.00
Band M	over 255g/km	£1030.00	£475.00

\* = Correct at time of issue - 1 November 2012.

## E10 FUEL

E10 fuel is cleared for use in all petrol-engined Vauxhall vehicles excluding models with the 2.2 litre direct injection petrol engine (code Z22YH) used in Vectra, Signum and Zafira models. Owners of these vehicles should continue to use regular unleaded or premium unleaded petrol.

## PROTECTING THE ENVIRONMENT

Vauxhall's commitment to the environment is demonstrated by our products' many environmental awards. For even more information on Vauxhall's efforts to achieve an environmentally sustainable future, see [www.vauxhall.co.uk/recycling](http://www.vauxhall.co.uk/recycling)

## VAUXHALL ASSISTANCE

Vauxhall Assistance is provided automatically with every new Vauxhall for 12 months from first registration and covers everything from accident assistance, roadside recovery and 'at home' service to flat tyres. With Vauxhall Assistance help is literally just a free\*\* phone call away, 24 hours a day, 365 days a year!

\*\* = Mobile phone users will be charged at their standard tariff.

## VAUXHALL LEASING

As Vauxhall's own contract hire and fleet management operation, Vauxhall Leasing provides a one-stop-shop for competitive car and van leasing solutions - for business users and private individuals. Working with the Vauxhall retailer network, we combine the support of a national contract with the convenience of a local contact.

For further information, please see your local Vauxhall retailer or call us on **0870 737 2557**. Alternatively, you can visit our website at [www.vauxhall-leasing.co.uk](http://www.vauxhall-leasing.co.uk)

## IN THE EVENT OF AN ACCIDENT...

Vauxhall Accident Support helps keep you mobile following an accident. Benefits include scene-of-accident advice, message service, assistance with claims and vehicle recovery. For further details call **0800 010 304**.

Alternatively, details can be found on our website at [www.vauxhall.co.uk](http://www.vauxhall.co.uk)

## MASTERFIT

Vauxhall's MasterFit retailers offer a great service for owners of all Vauxhall cars. Value for money, regular offers and free check-ups, combined with the peace of mind that comes from using trained technicians and genuine parts, help keep your car in peak condition at all times.

## FOR MORE PRODUCT INFORMATION

For a brochure on any Vauxhall model (up to a maximum of three per caller) or location of your nearest Vauxhall retailer please call **0845 600 1500**. Alternatively, details can be found on our website at [www.vauxhall.co.uk](http://www.vauxhall.co.uk)

## VAUXHALL INSURANCE WITH ADDED REASSURANCE

### Comprehensive cover - Summary of benefits\*

- Competitive premiums
- Repairs by a Vauxhall technician
- Genuine Vauxhall parts, guaranteed for three years when we repair your car within our Approved Repairer Network
- Free courtesy car as standard when using an Approved Repairer\*\*
- 24 hour claims helpline
- Personal Accident benefit
- Cover for audio equipment
- Windscreen cover

Call for a quote on **0844 463 2670†**

\*The benefits listed above are for comprehensive cover only. For details of Third Party, Fire and Theft cover, please call our sales team.  
\*\*Should your car need repairing following an accident we provide a courtesy car (subject to availability) for the duration of the repair. Only genuine Vauxhall parts are used. Terms and conditions apply.  
† Calls may be recorded. Vauxhall Motor Insurance is underwritten by Ageas Insurance Limited.

Every effort has been made to ensure that the contents of this document were accurate and up-to-date at the time of publication - 1 November 2012. The invoice price, including delivery to retailer, factory-fitted options, accessories fitted by the retailer and number plates, is subject to VAT. The right is reserved to alter specifications and prices, and withdraw products from sale, without notice. Please note that Vauxhall retailers are not the agents of General Motors UK Limited and are not authorised to bind the Company by any specific or implied undertaking or representation. It is advisable to ensure that your motor insurance policy provides adequate cover for additional fitted options and accessories. All rights reserved. No part of this publication may be reproduced in any form or by any means, without the prior written permission of General Motors UK Limited.

Base information prepared by Graymatter. General Motors UK Limited, Luton LU1 3YT [www.vauxhall.co.uk](http://www.vauxhall.co.uk)

©2012 General Motors UK Limited



**VAUXHALL**